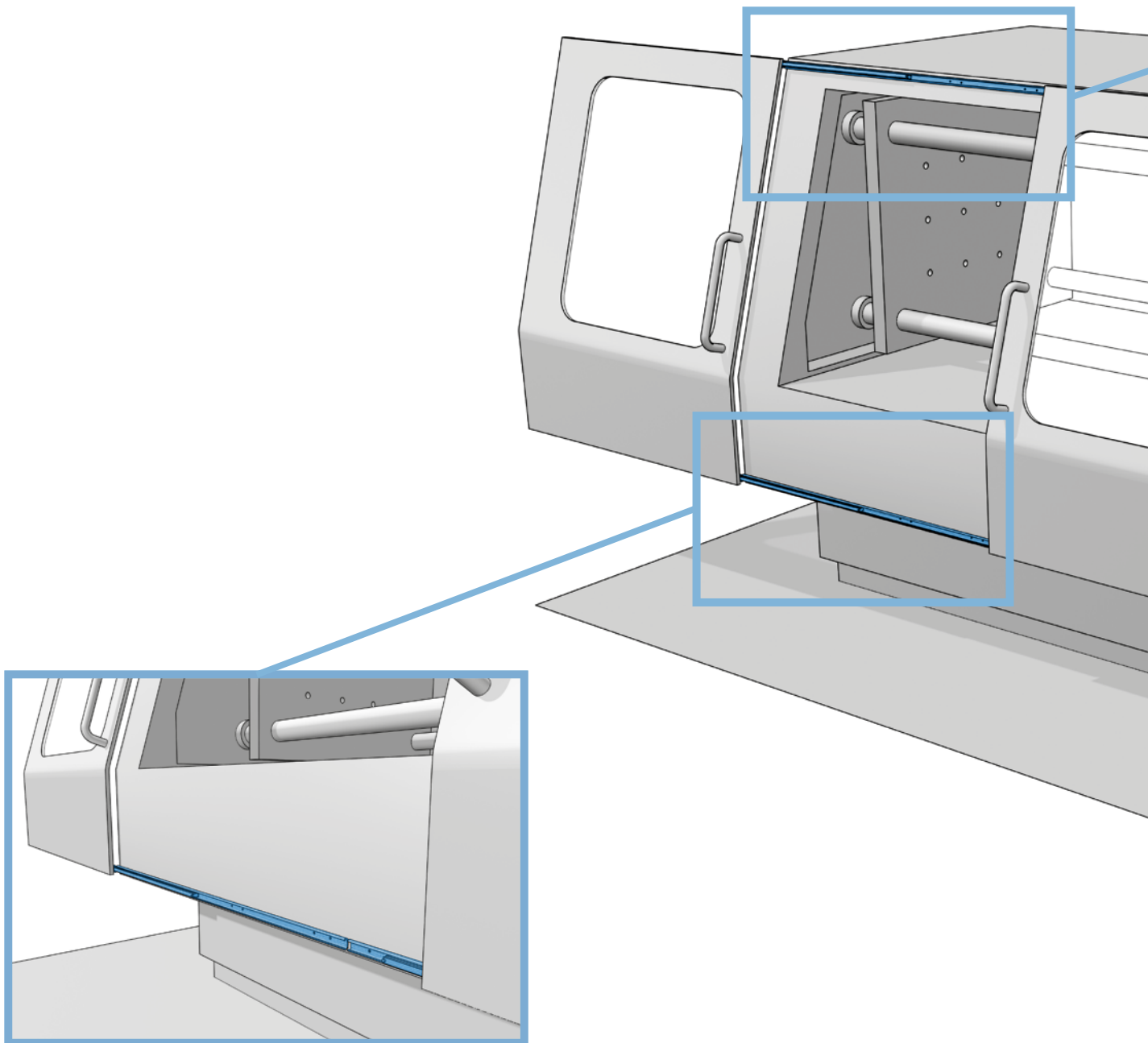
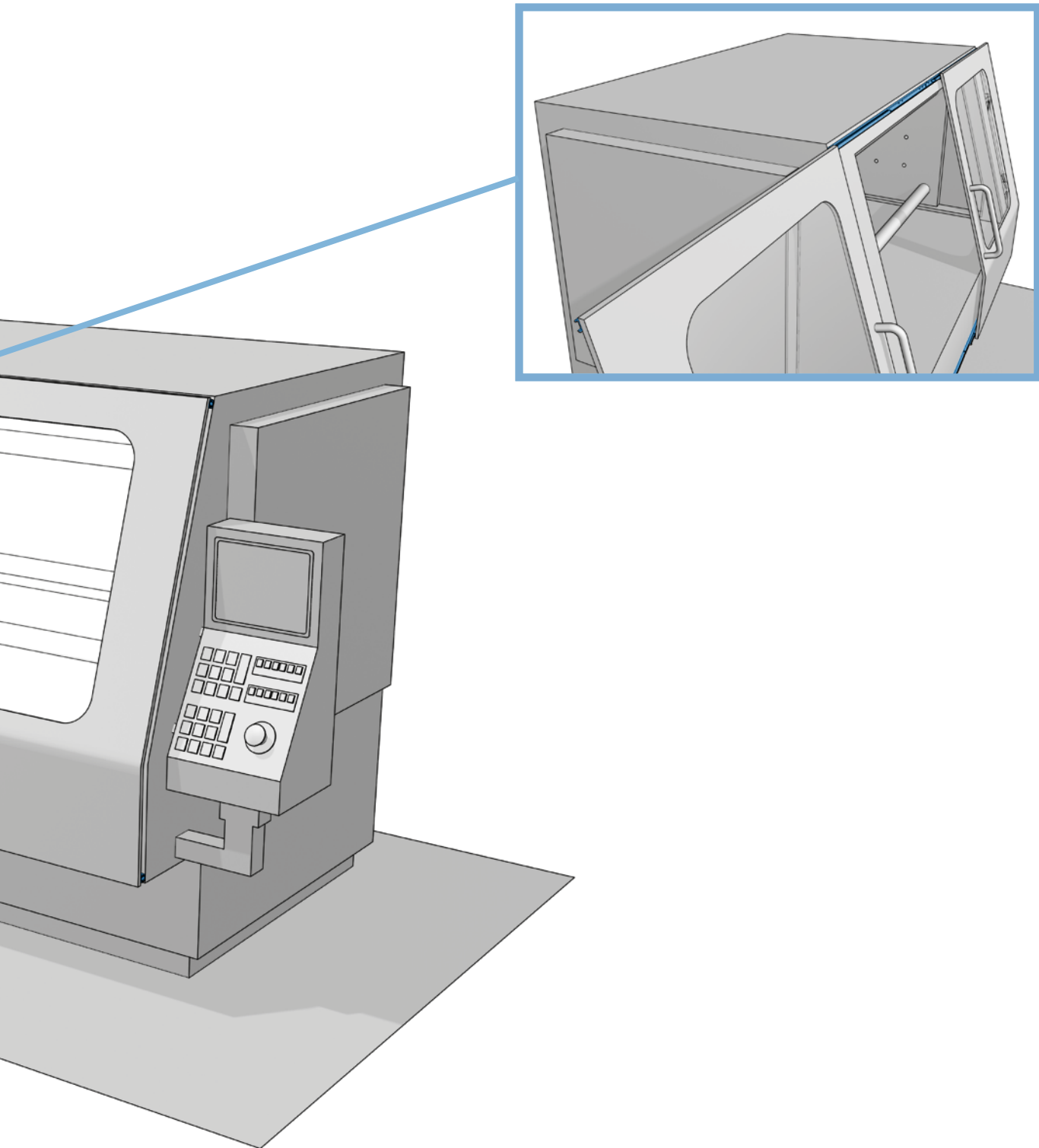


APPLICATION EXAMPLE

Application	Protective equipment
Industry	Rubber- and plastics machines Machinetools
Products	Full-extension (NTV)

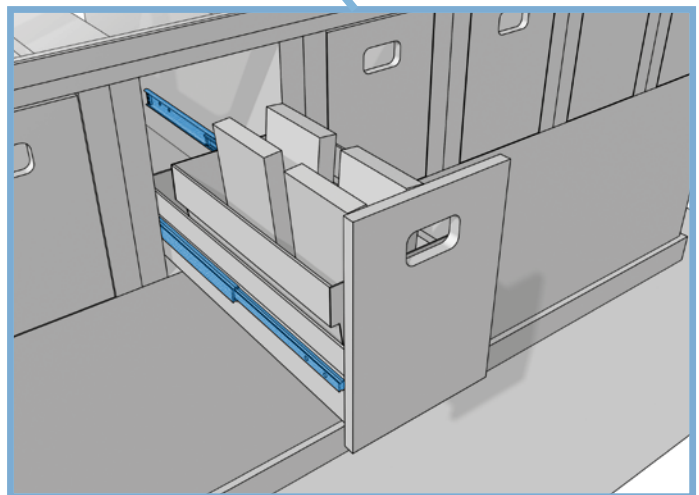
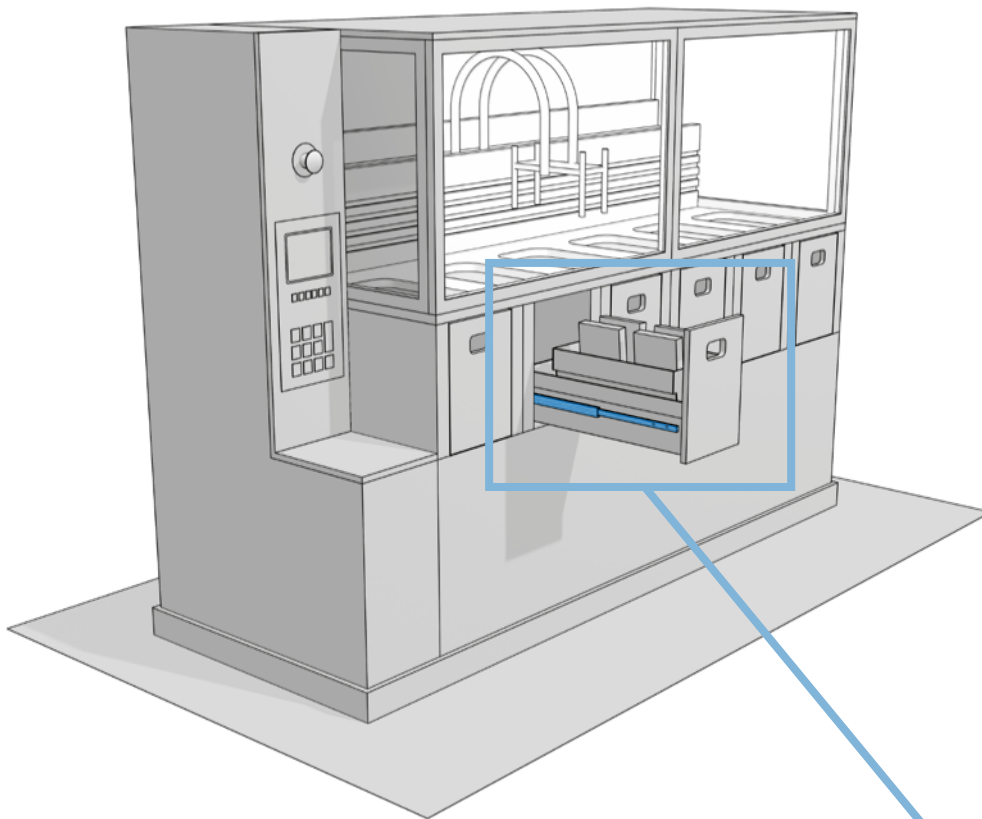


8.2



APPLICATION EXAMPLE

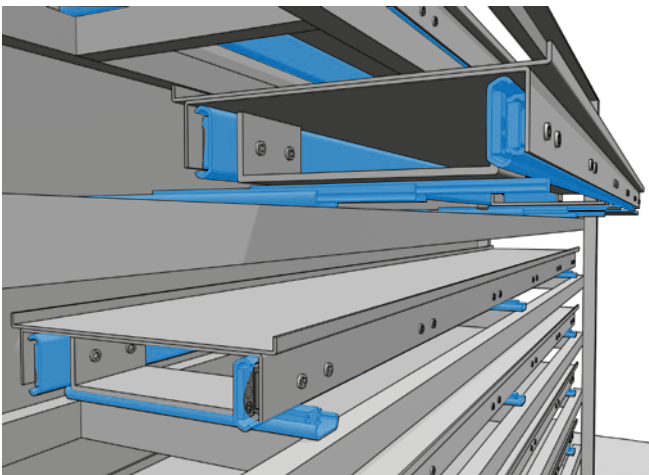
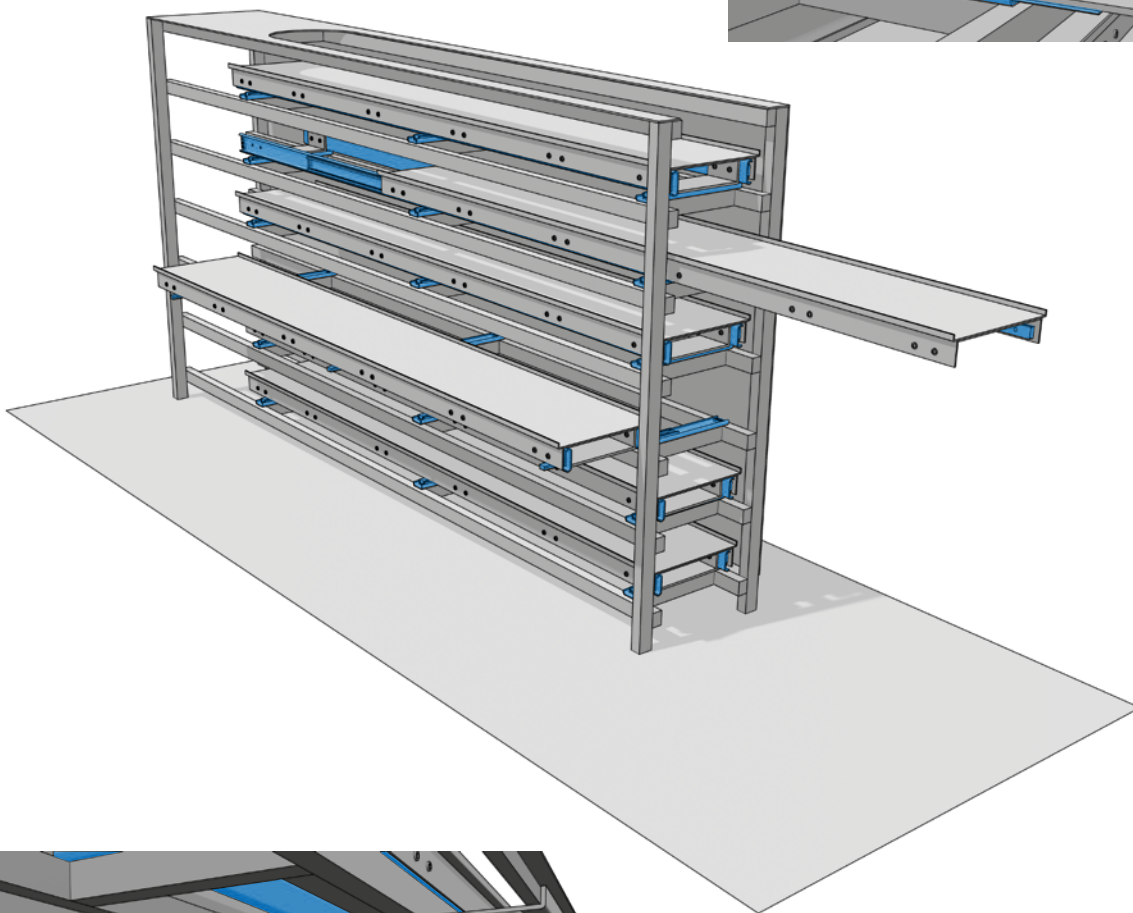
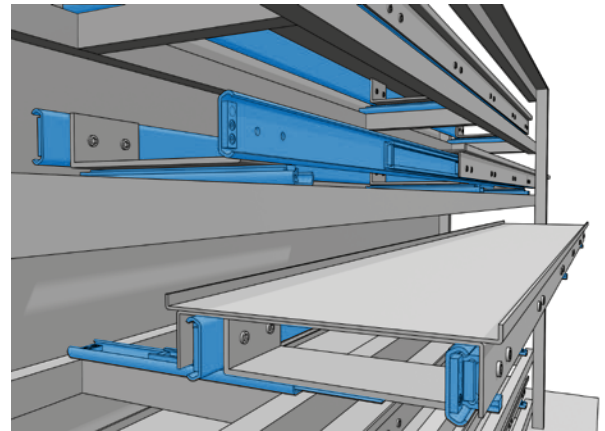
Application	Product supply
Industry	Medical technology, semi-conductor technology, etc.
Products	Full-extension (NTV)



APPLICATION EXAMPLE

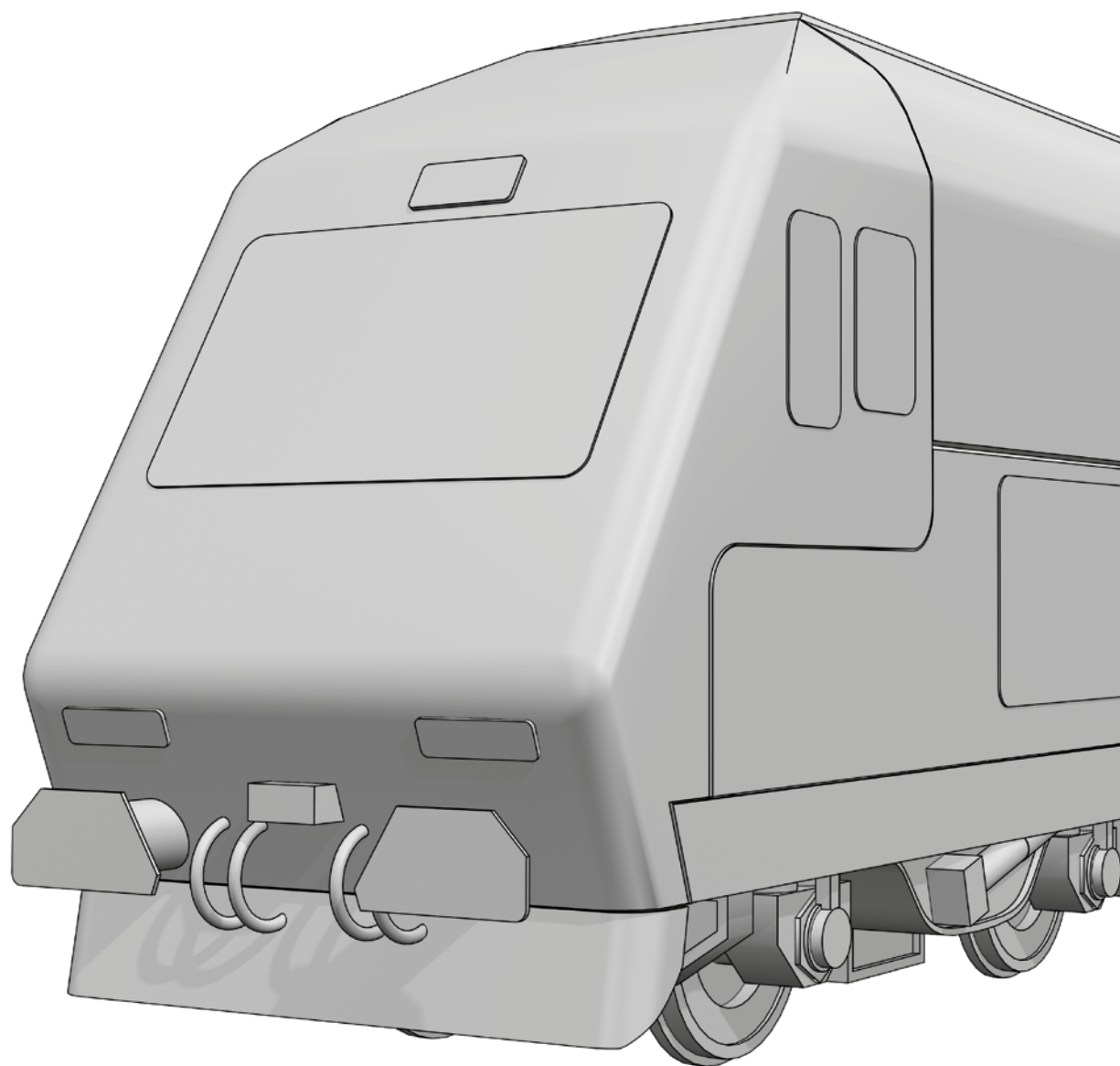
8.2

Application	Component magazine
Industry	Warehouse and logistics.
Products	Full-extension (NTV)



APPLICATION EXAMPLE

Application	Battery move-out / Door rail guide
Industry	Railway technology
Products	Full Extension Z-Steel Basic Profile (NTVZ)



8.2

