

FULL EXTENSIONS

3

PAGE 28

3.1 PRODUCT OVERVIEW

PAGE 32

3.2 FULL EXTENSIONS

- NTV27-26T
- NTV27-28DC
- NTV48-20T
- NTV48-22T
- NTV48-30DC
- NTV59-24T
- NTV59-35DC
- NTV60-26
- NTV72-26T
- NTV72-43DC
- NTV80-27.5
- NTV100-34

PAGE 44

3.3 SPECIAL FULL EXTENSIONS

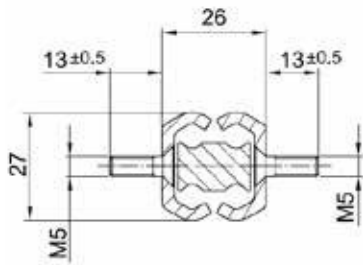
Z-steel basic profile

- NTVZ45-14
- NTVZ60-17
- NTVZ80-22
- NTVZ100-24
- NTVZ120-28
- NTVZ150-30

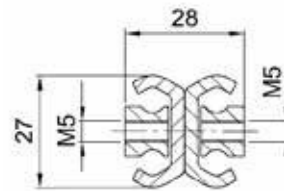
PRODUCT OVERVIEW

FULL EXTENSIONS

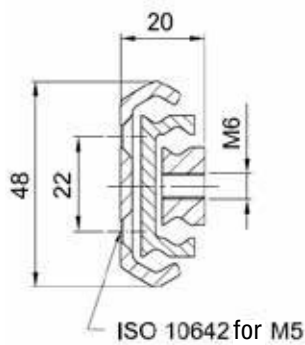
NTV27-26T



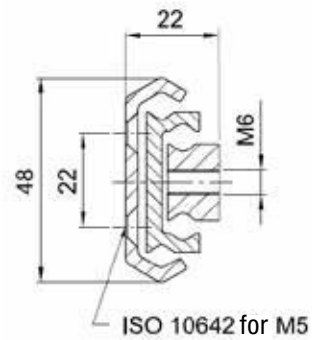
NTV27-28DC



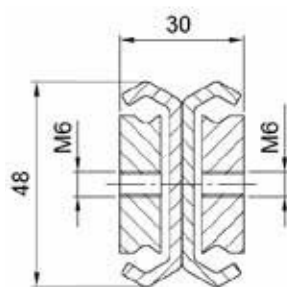
NTV48-20T



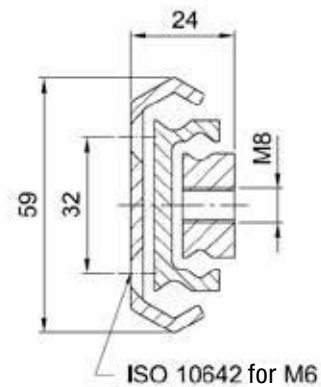
NTV48-22T



NTV48-30DC



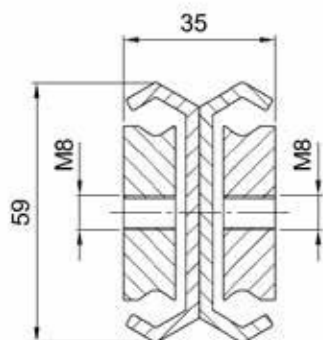
NTV59-24T



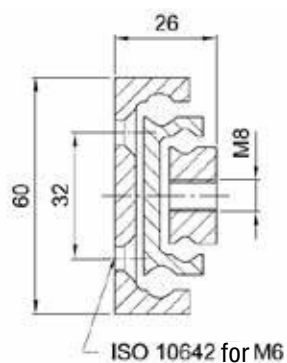
3.1

FULL EXTENSIONS

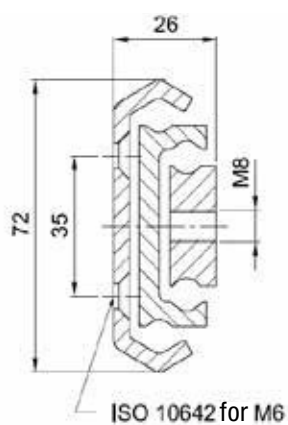
NTV59-35DC



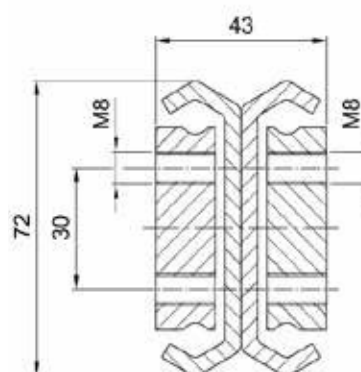
NTV60-26



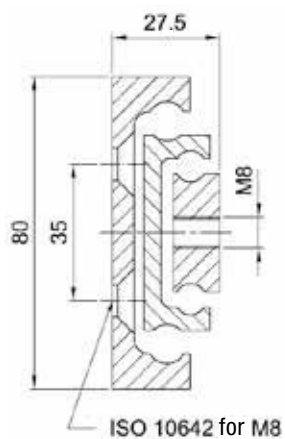
NTV72-26T



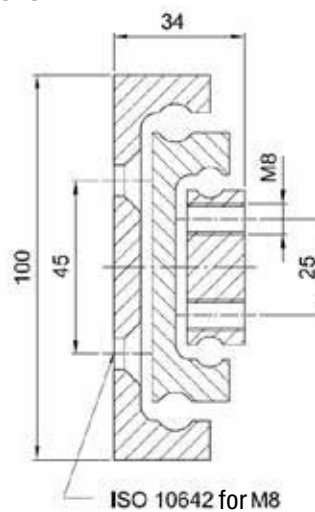
NTV72-43DC



NTV80-27.5



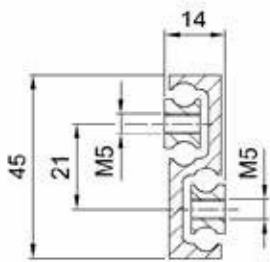
NTV100-34



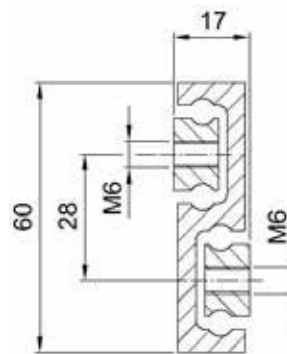
PRODUCT OVERVIEW

FULL EXTENSIONS

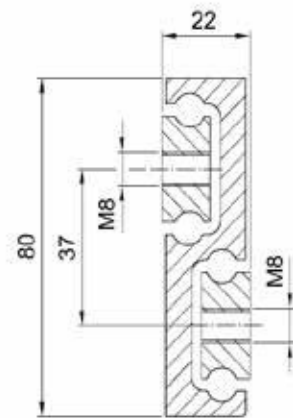
NTVZ45-14



NTVZ60-17

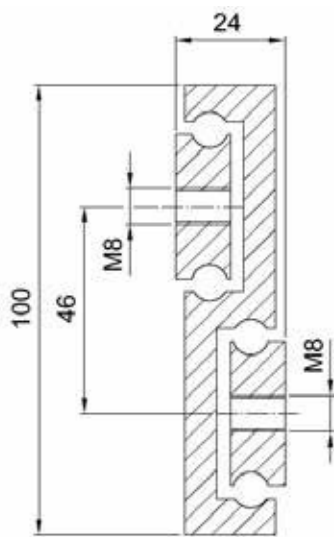


NTVZ80-22

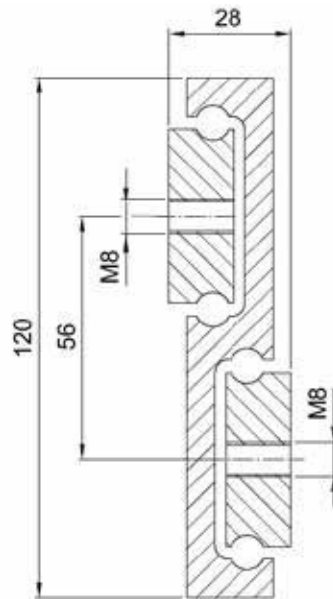


FULL EXTENSIONS

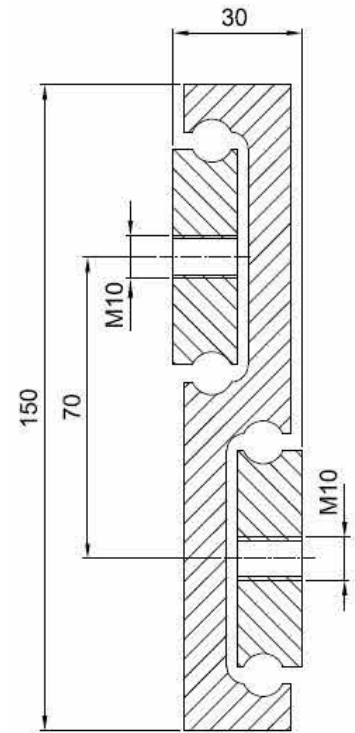
NTVZ100-24



NTVZ120-28

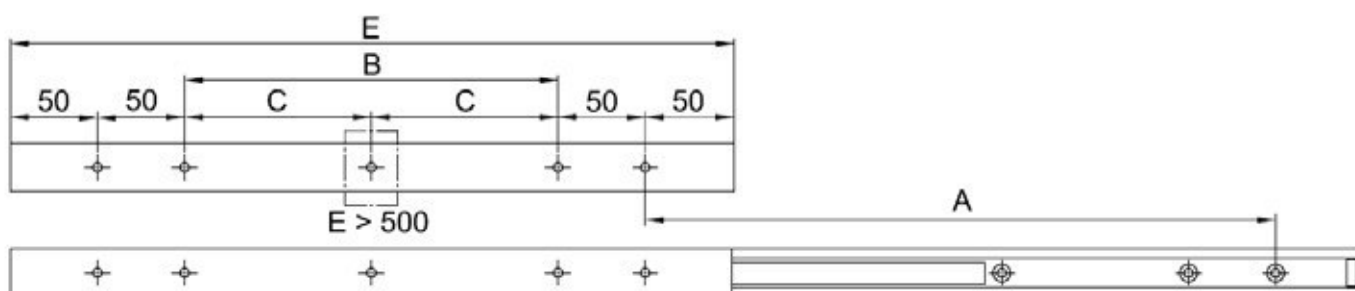
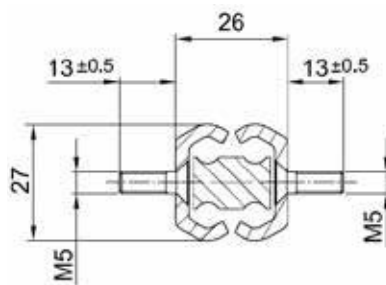


NTVZ150-30



FULL EXTENSION

NTV27-26T

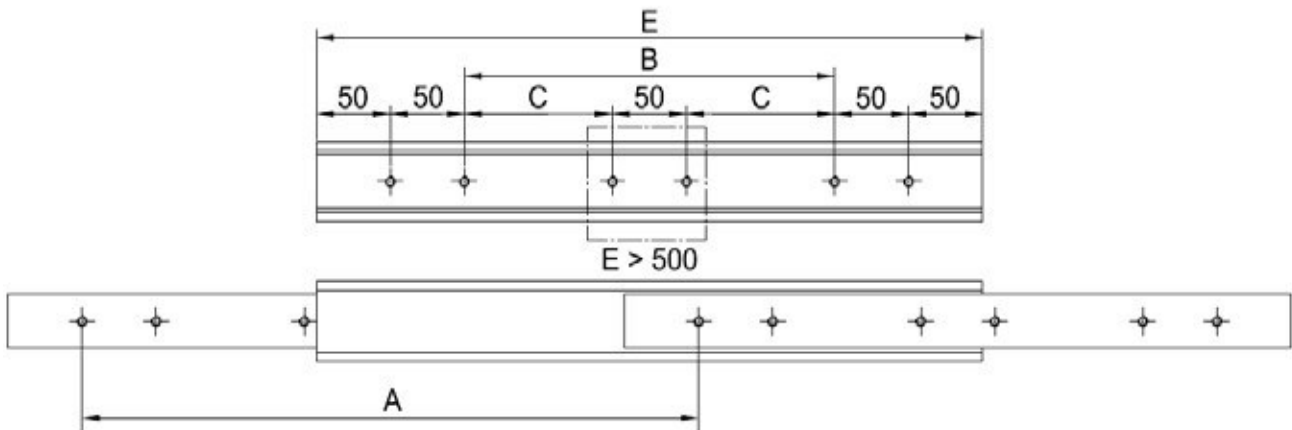
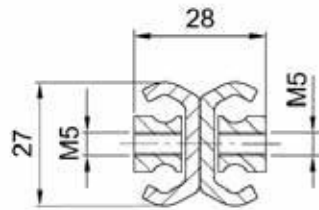


Load Table

Order Number	Hole separation (mm)		Installation length (mm)	Extension length (mm)	Net weight (kg)	Maximum load/pair (N)
	B	C				
NTV27-26T-250	50		250	250	1.0	1100
NTV27-26T-300	100		300	300	1.2	1150
NTV27-26T-350	150		350	350	1.4	1180
NTV27-26T-400	200		400	400	1.6	1200
NTV27-26T-450	250		450	450	1.8	1180
NTV27-26T-500	300		500	500	2.0	1150
NTV27-26T-550		175	550	550	2.2	1120
NTV27-26T-600		200	600	600	2.4	1090
NTV27-26T-650		225	650	650	2.6	1060
NTV27-26T-700		250	700	700	2.8	1030
NTV27-26T-750		275	750	750	3.0	1000
NTV27-26T-800		300	800	800	3.2	970
NTV27-26T-850		325	850	850	3.4	940
NTV27-26T-900		350	900	900	3.6	910
NTV27-26T-950		375	950	950	3.8	880
NTV27-26T-1000		400	1000	1000	4.0	850
NTV27-26T-1100		450	1100	1100	4.4	800
NTV27-26T-1200		500	1200	1200	4.8	750
NTV27-26T-1300		550	1300	1300	5.2	700

Ordercode and further options see last page. Your desired length is not listed in the table? No problem! Only the most common lengths are shown here. Please contact our application technology division.

NTV27-28DC



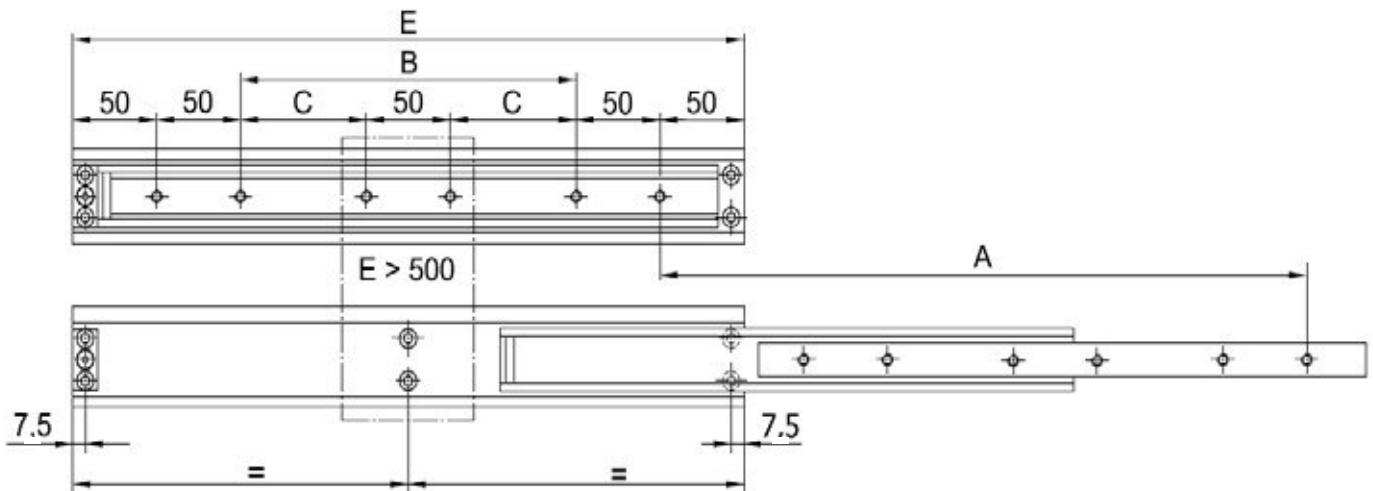
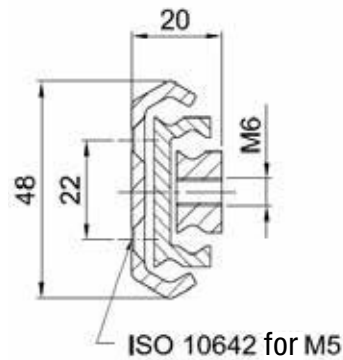
Load Table

Order Number	Hole separation (mm)		Installation length (mm)	Extension length (mm)	Net weight (kg)	Maximum load/pair (N)
	B	C	E	A		
NTV27-28DC-250	50		250	250	0.9	750
NTV27-28DC-300	100		300	300	1.1	800
NTV27-28DC-350	150		350	350	1.3	850
NTV27-28DC-400	200		400	400	1.5	800
NTV27-28DC-450	250		450	450	1.7	750
NTV27-28DC-500	300		500	500	1.9	700
NTV27-28DC-550		150	550	550	2.0	650
NTV27-28DC-600		175	600	600	2.2	600
NTV27-28DC-650		200	650	650	2.4	550
NTV27-28DC-700		225	700	700	2.6	500
NTV27-28DC-750		250	750	750	2.8	450
NTV27-28DC-800		275	800	800	3.0	400
NTV27-28DC-850		300	850	850	3.2	370
NTV27-28DC-900		325	900	900	3.4	340
NTV27-28DC-950		350	950	950	3.6	320
NTV27-28DC-1000		375	1000	1000	3.8	300

Ordercode and further options see last page. Your desired length is not listed in the table? No problem! Only the most common lengths are shown here. Please contact our application technology division.

FULL EXTENSION

NTV48-20T

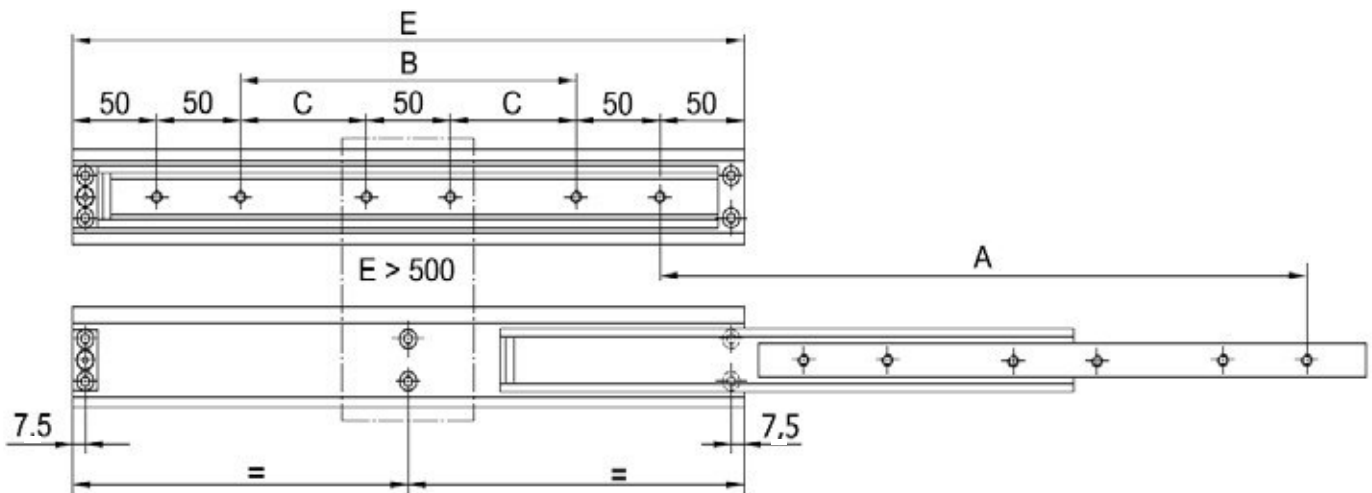
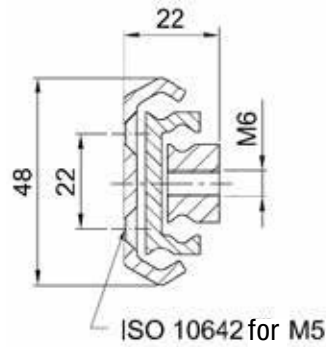


Load Table

Order Number	Hole separation (mm)		Installation length (mm)	Extension length (mm)	Net weight (kg)	Maximum load/pair (N)
	B	C	E	A		
NTV48-20T-300	100		300	300	1.3	1250
NTV48-20T-350	150		350	350	1.5	1300
NTV48-20T-400	200		400	400	1.7	1300
NTV48-20T-450	250		450	450	1.9	1250
NTV48-20T-500	300		500	500	2.1	1250
NTV48-20T-550		150	550	550	2.3	1200
NTV48-20T-600		175	600	600	2.5	1150
NTV48-20T-650		200	650	650	2.7	1100
NTV48-20T-700		225	700	700	2.9	1050
NTV48-20T-750		250	750	750	3.1	1000
NTV48-20T-800		275	800	800	3.3	950
NTV48-20T-850		300	850	850	3.5	900
NTV48-20T-900		325	900	900	3.7	850
NTV48-20T-950		350	950	950	3.9	800
NTV48-20T-1000		375	1000	1000	4.1	750
NTV48-20T-1100		425	1100	1100	4.9	650
NTV48-20T-1200		475	1200	1200	5.0	550

Ordercode and further options see last page. Your desired length is not listed in the table? No problem! Only the most common lengths are shown here. Please contact our application technology division.

NTV48-22T



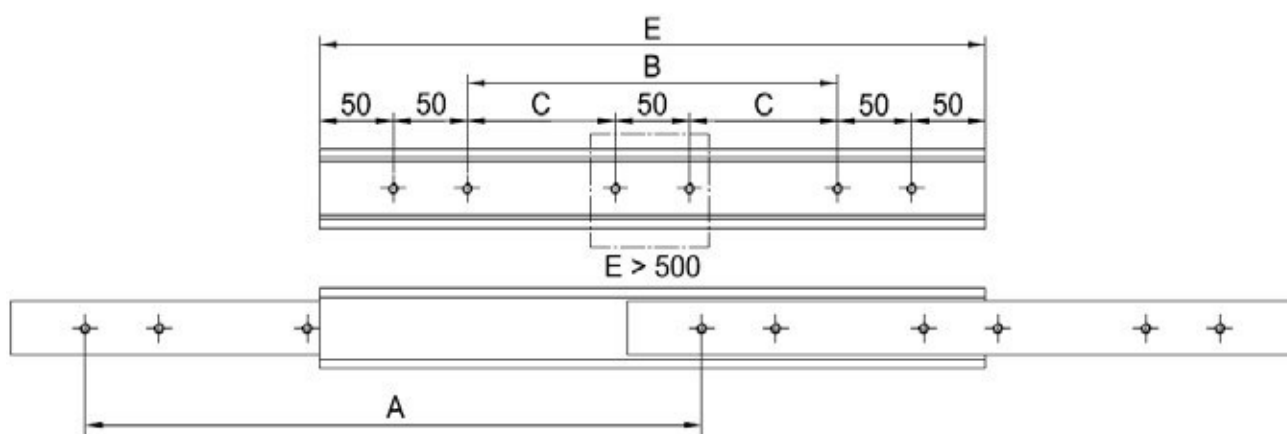
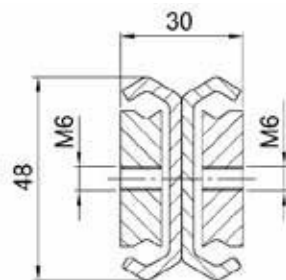
Load Table

Order Number	Hole separation (mm)		Installation length (mm)	Extension length (mm)	Net weight (kg)	Maximum load/pair (N)
	B	C	E	A		
NTV48-22T-300	100		300	300	1.4	1410
NTV48-22T-350	150		350	350	1.6	1460
NTV48-22T-400	200		400	400	1.9	1510
NTV48-22T-450	250		450	450	2.1	1460
NTV48-22T-500	300		500	500	2.4	1410
NTV48-22T-550		150	550	550	2.6	1360
NTV48-22T-600		175	600	600	2.9	1310
NTV48-22T-650		200	650	650	3.1	1260
NTV48-22T-700		225	700	700	3.4	1210
NTV48-22T-750		250	750	750	3.6	1160
NTV48-22T-800		275	800	800	3.9	1110
NTV48-22T-850		300	850	850	4.1	1060
NTV48-22T-900		325	900	900	4.4	1010
NTV48-22T-950		350	950	950	4.6	960
NTV48-22T-1000		375	1000	1000	4.9	910
NTV48-22T-1100		425	1100	1100	5.4	810
NTV48-22T-1200		475	1200	1200	5.9	710
NTV48-22T-1300		525	1300	1300	6.4	610
NTV48-22T-1400		575	1400	1400	6.9	510
NTV48-22T-1500		625	1500	1500	7.4	410

Ordercode and further options see last page. Your desired length is not listed in the table? No problem! Only the most common lengths are shown here. Please contact our application technology division.

FULL EXTENSION

NTV48-30DC

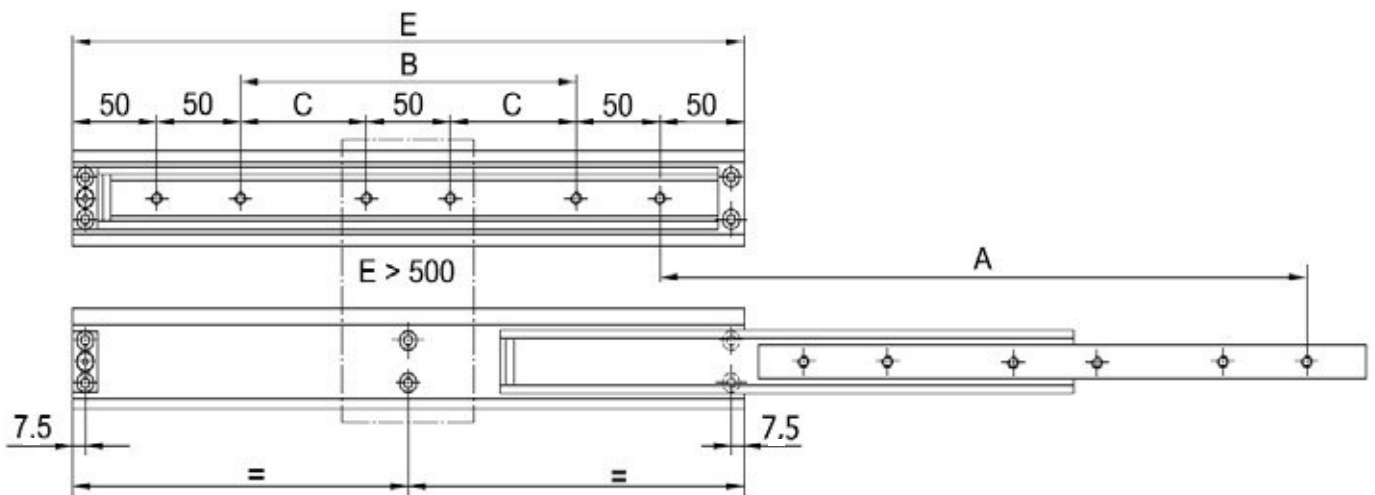
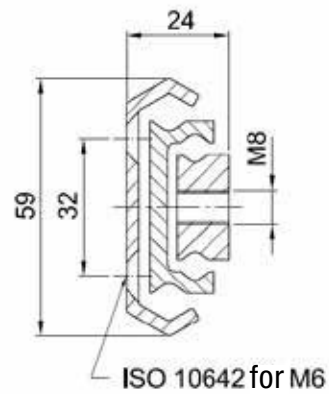


Load Table

Order Number	Hole separation (mm)		Installation length (mm)	Extension length (mm)	Net weight (kg)	Maximum load/pair (N)
	B	C	E	A		
NTV48-30DC-300	100		300	300	2.6	1810
NTV48-30DC-350	150		350	350	3.0	1860
NTV48-30DC-400	200		400	400	3.4	1910
NTV48-30DC-450	250		450	450	3.9	1860
NTV48-30DC-500	300		500	500	4.3	1810
NTV48-30DC-550		150	550	550	4.8	1760
NTV48-30DC-600		175	600	600	5.2	1710
NTV48-30DC-650		200	650	650	5.6	1660
NTV48-30DC-700		225	700	700	6.1	1610
NTV48-30DC-750		250	750	750	6.5	1560
NTV48-30DC-800		275	800	800	7.0	1510
NTV48-30DC-850		300	850	850	7.4	1460
NTV48-30DC-900		325	900	900	7.9	1410
NTV48-30DC-950		350	950	950	8.3	1360
NTV48-30DC-1000		375	1000	1000	8.7	1310
NTV48-30DC-1100		425	1100	1100	9.6	1210
NTV48-30DC-1200		475	1200	1200	10.5	1110
NTV48-30DC-1300		525	1300	1300	11.4	1010
NTV48-30DC-1400		575	1400	1400	12.3	910
NTV48-30DC-1500		625	1500	1500	13.2	810

Ordercode and further options see last page. Your desired length is not listed in the table? No problem! Only the most common lengths are shown here. Please contact our application technology division.

NTV59-24T



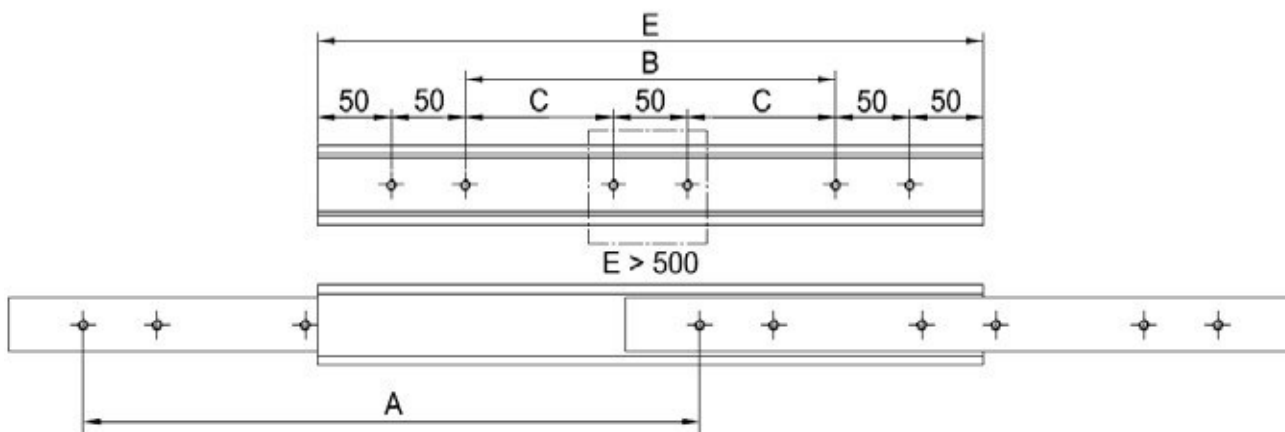
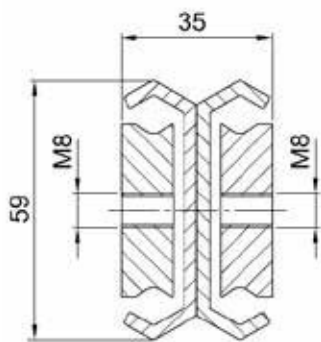
Load Table

Order Number	Hole separation (mm)		Installation length (mm)	Extension length (mm)	Net weight (kg)	Maximum load/pair (N)
	B	C	E	A		
NTV59-24T-300	100		300	300	1.8	2100
NTV59-24T-350	150		350	350	2.4	2150
NTV59-24T-400	200		400	400	2.5	2200
NTV59-24T-450	250		450	450	2.8	2150
NTV59-24T-500	300		500	500	3.1	2100
NTV59-24T-550		150	550	550	3.4	2050
NTV59-24T-600		175	600	600	3.8	2000
NTV59-24T-650		200	650	650	4.1	1950
NTV59-24T-700		225	700	700	4.4	1900
NTV59-24T-750		250	750	750	4.7	1850
NTV59-24T-800		275	800	800	5.1	1800
NTV59-24T-850		300	850	850	5.4	1750
NTV59-24T-900		325	900	900	5.7	1700
NTV59-24T-950		350	950	950	6.0	1650
NTV59-24T-1000		375	1000	1000	6.4	1600
NTV59-24T-1100		425	1100	1100	7.0	1500
NTV59-24T-1200		475	1200	1200	7.6	1400
NTV59-24T-1300		525	1300	1300	8.4	1300
NTV59-24T-1400		575	1400	1400	9.1	1200
NTV59-24T-1500		625	1500	1500	9.5	1100

Ordercode and further options see last page. Your desired length is not listed in the table? No problem! Only the most common lengths are shown here. Please contact our application technology division.

FULL EXTENSION

NTV59-35DC

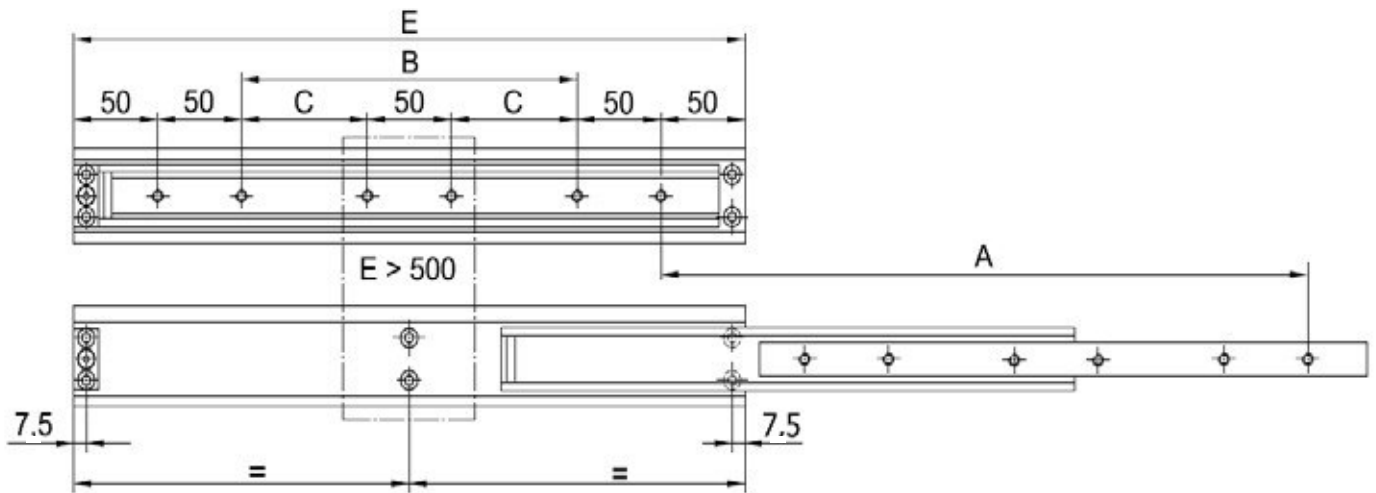
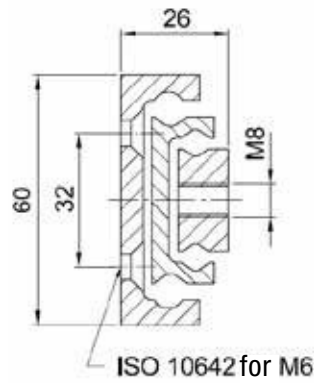


Load Table

Order Number	Hole separation (mm)		Installation length (mm)	Extension length (mm)	Net weight (kg)	Maximum load/pair (N)
	B	C				
NTV59-35DC-300	100		300	300	3.5	2600
NTV59-35DC-350	150		350	350	4.1	2650
NTV59-35DC-400	200		400	400	4.7	2700
NTV59-35DC-450	250		450	450	5.3	2650
NTV59-35DC-500	300		500	500	5.8	2600
NTV59-35DC-550		150	550	550	6.4	2550
NTV59-35DC-600		175	600	600	7.0	2500
NTV59-35DC-650		200	650	650	7.6	2450
NTV59-35DC-700		225	700	700	8.2	2400
NTV59-35DC-750		250	750	750	8.8	2350
NTV59-35DC-800		275	800	800	9.4	2300
NTV59-35DC-850		300	850	850	10.0	2250
NTV59-35DC-900		325	900	900	10.5	2200
NTV59-35DC-950		350	950	950	11.1	2100
NTV59-35DC-1000		375	1000	1000	11.7	2050
NTV59-35DC-1100		425	1100	1100	12.9	1950
NTV59-35DC-1200		475	1200	1200	14.0	1850
NTV59-35DC-1300		525	1300	1300	15.2	1750
NTV59-35DC-1400		575	1400	1400	16.4	1650
NTV59-35DC-1500		625	1500	1500	17.6	1600

Ordercode and further options see last page. Your desired length is not listed in the table? No problem! Only the most common lengths are shown here. Please contact our application technology division.

NTV60-26



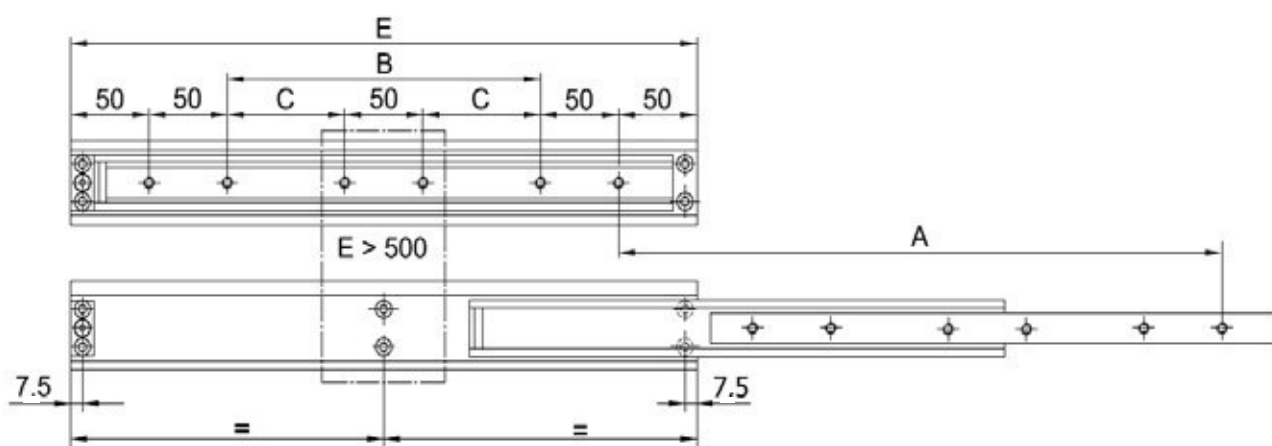
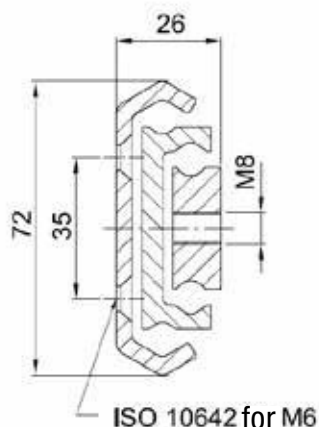
Load Table

Order Number	Hole separation (mm)		Installation length (mm)	Extension length (mm)	Net weight (kg)	Maximum load/pair (N)
	B	C	E	A		
NTV60-26-300	100		300	300	1.5	2800
NTV60-26-350	150		350	350	1.8	2850
NTV60-26-400	200		400	400	2.0	2900
NTV60-26-450	250		450	450	2.3	2850
NTV60-26-500	300		500	500	2.5	2800
NTV60-26-550		150	550	550	2.8	2800
NTV60-26-600		175	600	600	3.0	2700
NTV60-26-650		200	650	650	3.3	2650
NTV60-26-700		225	700	700	3.5	2600
NTV60-26-750		250	750	750	3.8	2550
NTV60-26-800		275	800	800	4.0	2500
NTV60-26-850		300	850	850	4.3	2450
NTV60-26-900		325	900	900	4.5	2400
NTV60-26-950		350	950	950	4.8	2330
NTV60-26-1000		375	1000	1000	5.1	2250
NTV60-26-1100		425	1100	1100	5.6	2100
NTV60-26-1200		475	1200	1200	6.1	1950
NTV60-26-1300		525	1300	1300	6.6	1800
NTV60-26-1400		575	1400	1400	7.1	1700
NTV60-26-1500		625	1500	1500	7.6	1600

Ordercode and further options see last page. Your desired length is not listed in the table? No problem! Only the most common lengths are shown here. Please contact our application technology division.

FULL EXTENSION

NTV72-26T

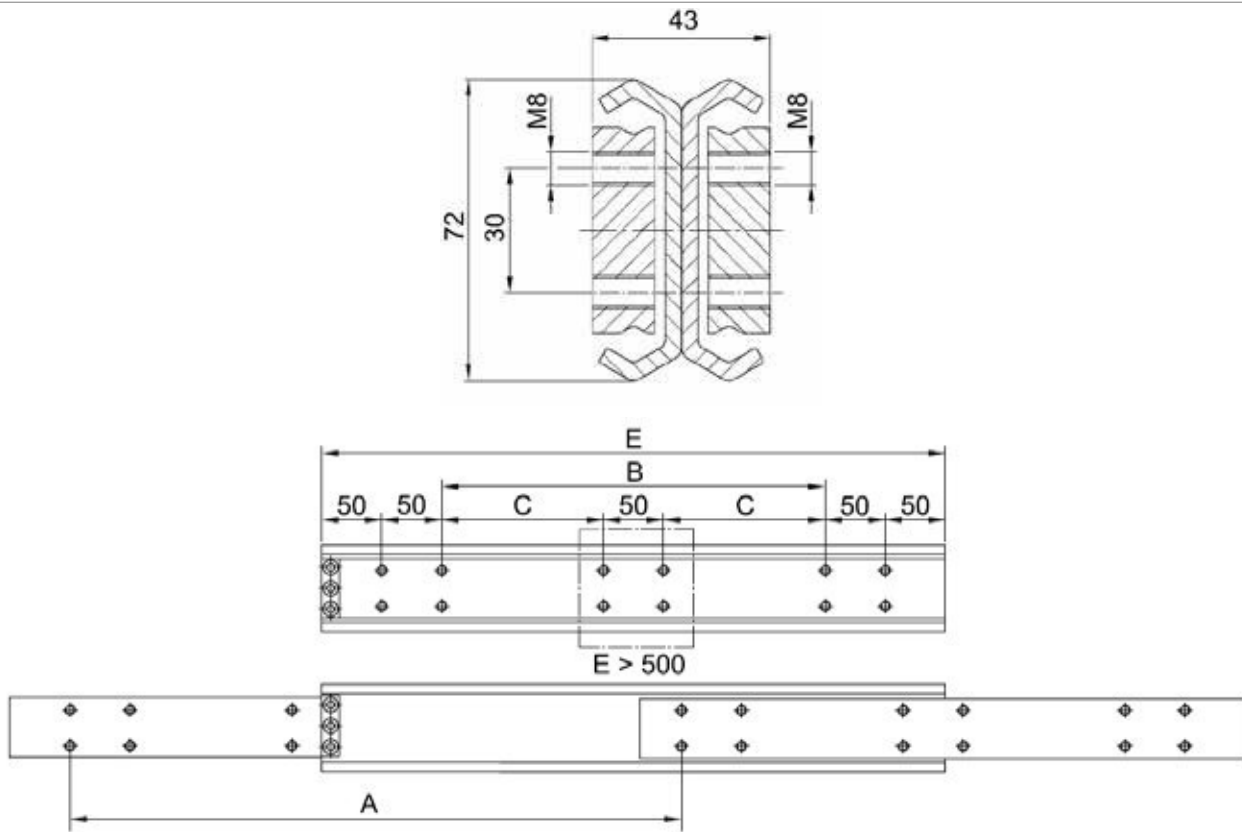


Load Table

Order Number	Hole separation (mm)		Installation length (mm)	Extension length (mm)	Net weight (kg)	Maximum load/pair (N)
	B	C	E	A		
NTV72-26T-300	100		300	300	2.5	3300
NTV72-26T-350	150		350	350	3.0	3350
NTV72-26T-400	200		400	400	3.5	3400
NTV72-26T-450	250		450	450	4.0	3350
NTV72-26T-500	300		500	500	4.4	3300
NTV72-26T-550		150	550	550	4.9	3250
NTV72-26T-600		175	600	600	5.4	3100
NTV72-26T-650		200	650	650	5.9	3150
NTV72-26T-700		225	700	700	6.3	3100
NTV72-26T-750		250	750	750	6.8	3050
NTV72-26T-800		275	800	800	7.3	3000
NTV72-26T-850		300	850	850	7.7	2950
NTV72-26T-900		325	900	900	8.2	2900
NTV72-26T-950		350	950	950	8.6	2850
NTV72-26T-1000		375	1000	1000	9.1	2800
NTV72-26T-1100		425	1100	1100	10.0	2700
NTV72-26T-1200		475	1200	1200	10.9	2600
NTV72-26T-1300		525	1300	1300	11.9	2450
NTV72-26T-1400		575	1400	1400	12.9	2300
NTV72-26T-1500		625	1500	1500	13.9	2150
NTV72-26T-1600		675	1600	1600	14.7	2000
NTV72-26T-1700		725	1700	1700	15.6	1850
NTV72-26T-1800		775	1800	1800	16.5	1700
NTV72-26T-1900		825	1900	1900	17.5	1550
NTV72-26T-2000		875	2000	2000	18.4	1400

Ordercode and further options see last page. Your desired length is not listed in the table? No problem! Only the most common lengths are shown here. Please contact our application technology division.

NTV72-43DC



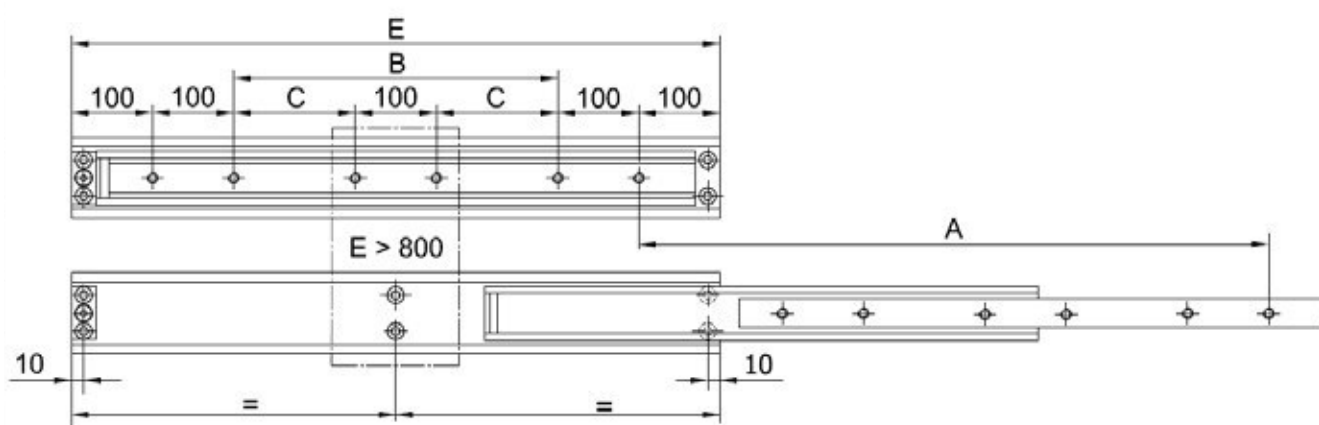
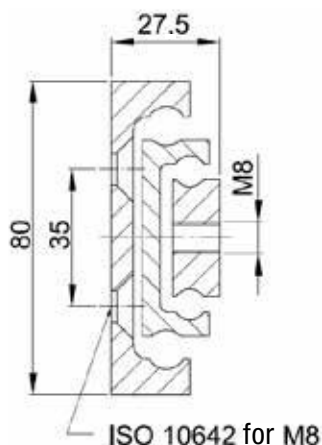
Load Table

Order Number	Hole separation (mm)		Installation length (mm)	Extension length (mm)	Net weight (kg)	Maximum load/pair (N)
	B	C	E	A		
NTV72-43DC-300	100		300	300	5.4	3800
NTV72-43DC-350	150		350	350	6.4	3850
NTV72-43DC-400	200		400	400	7.3	3900
NTV72-43DC-450	250		450	450	8.2	3850
NTV72-43DC-500	300		500	500	9.2	3800
NTV72-43DC-550		150	550	550	10.1	3750
NTV72-43DC-600		175	600	600	11.1	3700
NTV72-43DC-650		200	650	650	12.0	3650
NTV72-43DC-700		225	700	700	13.0	3600
NTV72-43DC-750		250	750	750	13.9	3550
NTV72-43DC-800		275	800	800	14.8	3500
NTV72-43DC-850		300	850	850	15.8	3450
NTV72-43DC-900		325	900	900	16.7	3400
NTV72-43DC-950		350	950	950	17.7	3350
NTV72-43DC-1000		375	1000	1000	18.6	3300
NTV72-43DC-1100		425	1100	1100	19.5	3200
NTV72-43DC-1200		475	1200	1200	22.4	3100
NTV72-43DC-1300		525	1300	1300	24.2	2950
NTV72-43DC-1400		575	1400	1400	26.1	2800
NTV72-43DC-1500		625	1500	1500	28.0	2650
NTV72-43DC-1600		675	1600	1600	29.9	2500
NTV72-43DC-1700		725	1700	1700	31.8	2300
NTV72-43DC-1800		775	1800	1800	33.6	2100
NTV72-43DC-1900		825	1900	1900	35.5	1900
NTV72-43DC-2000		875	2000	2000	37.4	1600

Ordercode and further options see last page. Your desired length is not listed in the table? No problem! Only the most common lengths are shown here. Please contact our application technology division.

FULL EXTENSION

NTV80-27.5

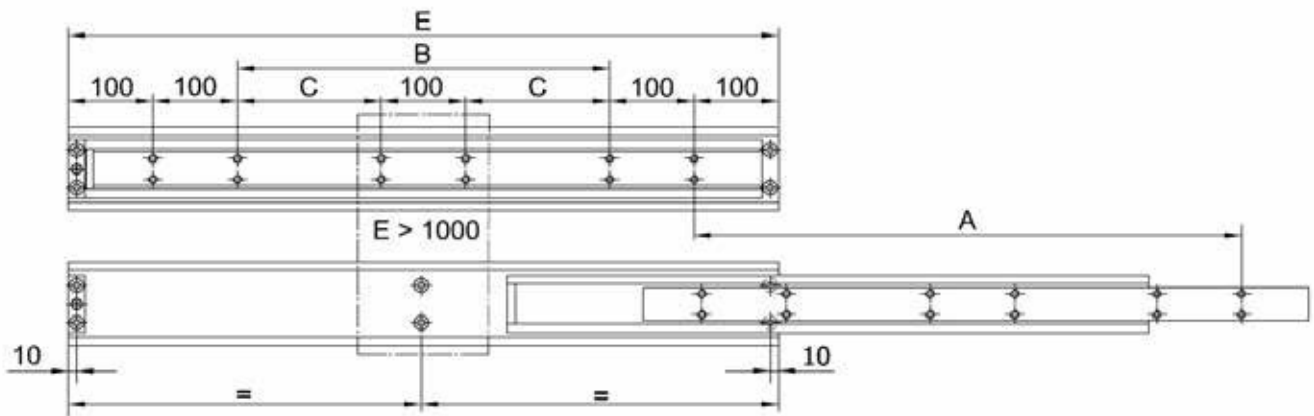
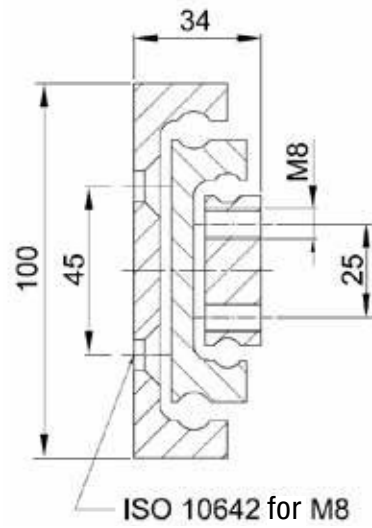


Load Table

Order Number	Hole separation (mm)		Installation length (mm)	Extension length (mm)	Net weight (kg)	Maximum load/pair (N)
	B	C	E	A		
NTV80-27.5-500	100		500	500	5.7	4350
NTV80-27.5-550	150		550	550	6.3	4400
NTV80-27.5-600	200		600	600	6.8	4450
NTV80-27.5-650	250		650	650	7.4	4450
NTV80-27.5-700	300		700	700	8.0	4450
NTV80-27.5-750	350		750	750	8.6	4400
NTV80-27.5-800	400		800	800	9.1	4350
NTV80-27.5-850		175	850	850	9.7	4300
NTV80-27.5-900		200	900	900	10.3	4200
NTV80-27.5-950		225	950	950	10.8	4100
NTV80-27.5-1000		250	1000	1000	11.4	4000
NTV80-27.5-1100		300	1100	1100	12.5	3800
NTV80-27.5-1200		350	1200	1200	13.7	3600
NTV80-27.5-1300		400	1300	1300	14.8	3350
NTV80-27.5-1400		450	1400	1400	15.9	3100
NTV80-27.5-1500		500	1500	1500	17.1	2800
NTV80-27.5-1600		550	1600	1600	18.2	2500
NTV80-27.5-1700		600	1700	1700	19.4	2250
NTV80-27.5-1800		650	1800	1800	20.5	2000
NTV80-27.5-1900		700	1900	1900	21.6	1750
NTV80-27.5-2000		750	2000	2000	22.8	1500

Ordercode and further options see last page. Your desired length is not listed in the table? No problem! Only the most common lengths are shown here. Please contact our application technology division.

NTV100-34



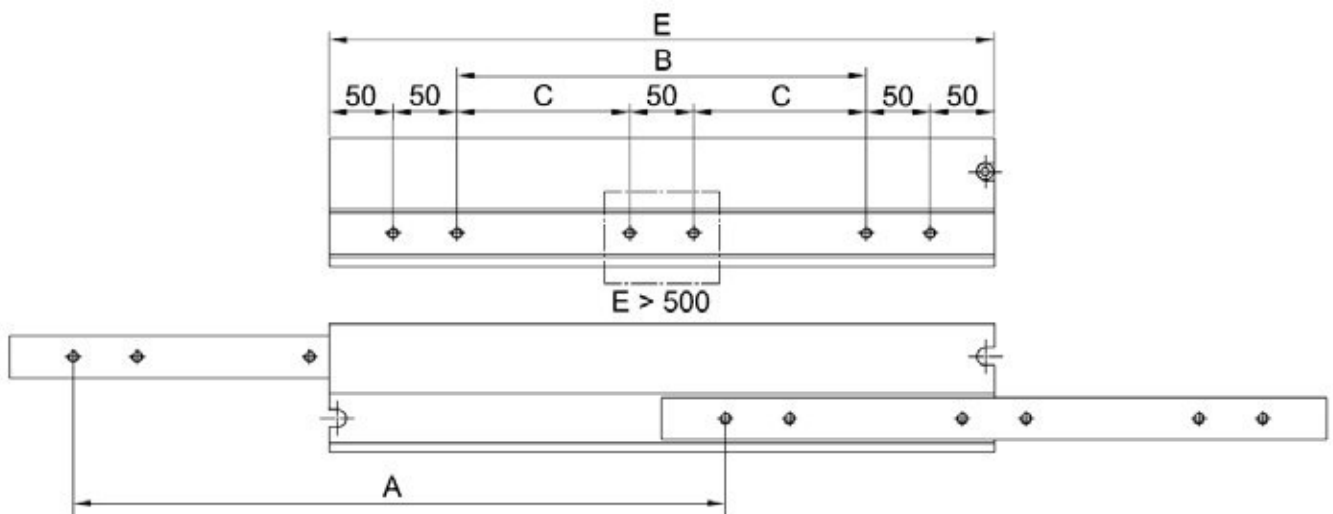
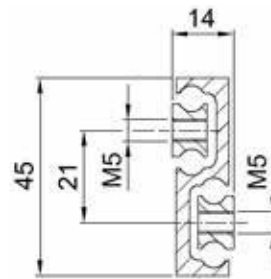
Load Table

Order Number	Hole separation (mm)		Installation length (mm)	Extension length (mm)	Net weight (kg)	Maximum load/pair (N)
	B	C	E	A		
NTV100-34-600	200		600	600	11.2	5750
NTV100-34-650	250		650	650	12.2	5650
NTV100-34-700	300		700	700	13.1	5550
NTV100-34-750	350		750	750	14.0	5450
NTV100-34-800	400		800	800	15.0	5350
NTV100-34-850	450		850	850	15.9	5250
NTV100-34-900	500		900	900	16.8	5150
NTV100-34-950	550		950	950	17.8	5050
NTV100-34-1000	600		1000	1000	18.7	4950
NTV100-34-1100		300	1100	1100	20.6	4750
NTV100-34-1200		350	1200	1200	22.5	4550
NTV100-34-1300		400	1300	1300	24.3	4300
NTV100-34-1400		450	1400	1400	26.2	4050
NTV100-34-1500		500	1500	1500	28.1	3800
NTV100-34-1600		550	1600	1600	29.9	3550
NTV100-34-1700		600	1700	1700	31.8	3300
NTV100-34-1800		650	1800	1800	33.7	3050
NTV100-34-1900		700	1900	1900	35.6	2750
NTV100-34-2000		750	2000	2000	37.4	2450

Ordercode and further options see last page. Your desired length is not listed in the table? No problem! Only the most common lengths are shown here. Please contact our application technology division.

FULL EXTENSION

NTVZ45-14

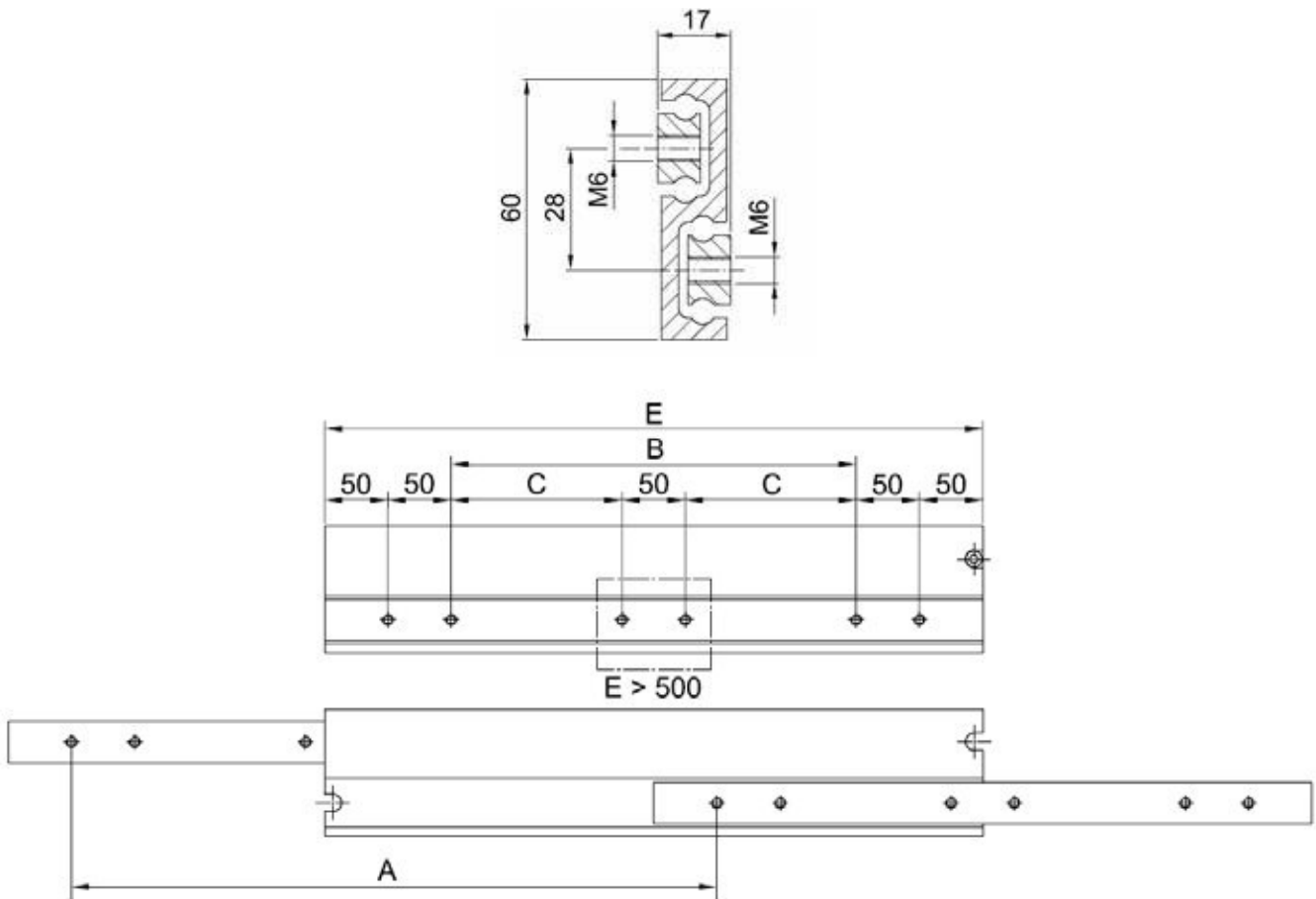


Load Table

Order Number	Hole separation (mm)		Installation length (mm)	Extension length (mm)	Net weight (kg)	Maximum load/pair (N)
	B	C	E	A		
NTVZ45-14-250	50		250	250	0.8	450
NTVZ45-14-300	100		300	300	0.9	530
NTVZ45-14-350	150		350	350	1.1	650
NTVZ45-14-400	200		400	400	1.2	600
NTVZ45-14-450	250		450	450	1.4	550
NTVZ45-14-500	300		500	500	1.6	500
NTVZ45-14-550		150	550	550	1.7	450
NTVZ45-14-600		175	600	600	1.9	400
NTVZ45-14-650		200	650	650	2.0	360
NTVZ45-14-700		225	700	700	2.2	330
NTVZ45-14-750		250	750	750	2.3	300
NTVZ45-14-800		275	800	800	2.5	250

Ordercode and further options see last page. Your desired length is not listed in the table? No problem! Only the most common lengths are shown here. Please contact our application technology division.

NTVZ60-17



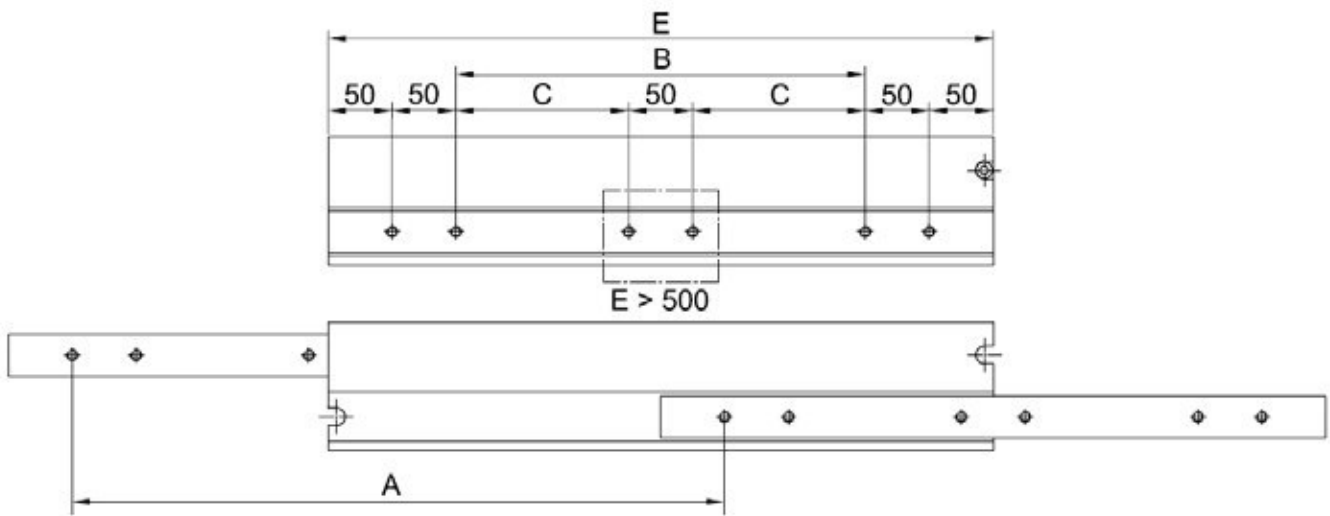
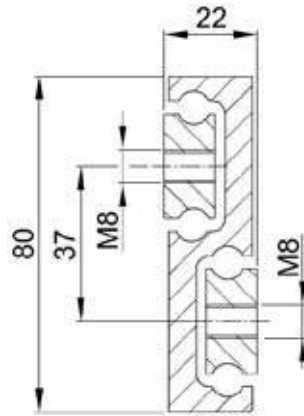
Load Table

Order Number	Hole separation (mm)		Installation length (mm)	Extension length (mm)	Net weight (kg)	Maximum load/pair (N)
	B	C	E	A		
NTVZ60-17-250	50		250	250	1.8	1000
NTVZ60-17-300	100		300	300	2.0	1250
NTVZ60-17-350	150		350	350	2.2	1350
NTVZ60-17-400	200		400	400	2.5	1400
NTVZ60-17-450	250		450	450	2.8	1400
NTVZ60-17-500	300		500	500	3.1	1400
NTVZ60-17-550		150	550	550	3.5	1350
NTVZ60-17-600		175	600	600	3.7	1300
NTVZ60-17-650		200	650	650	4.1	1250
NTVZ60-17-700		225	700	700	4.1	1200
NTVZ60-17-750		250	750	750	4.4	1150
NTVZ60-17-800		275	800	800	4.7	1050
NTVZ60-17-850		300	850	850	5.0	950
NTVZ60-17-900		325	900	900	5.3	850
NTVZ60-17-950		350	950	950	5.7	750
NTVZ60-17-1000		375	1000	1000	6.0	650

Ordercode and further options see last page. Your desired length is not listed in the table? No problem! Only the most common lengths are shown here. Please contact our application technology division.

FULL EXTENSION

NTVZ80-22

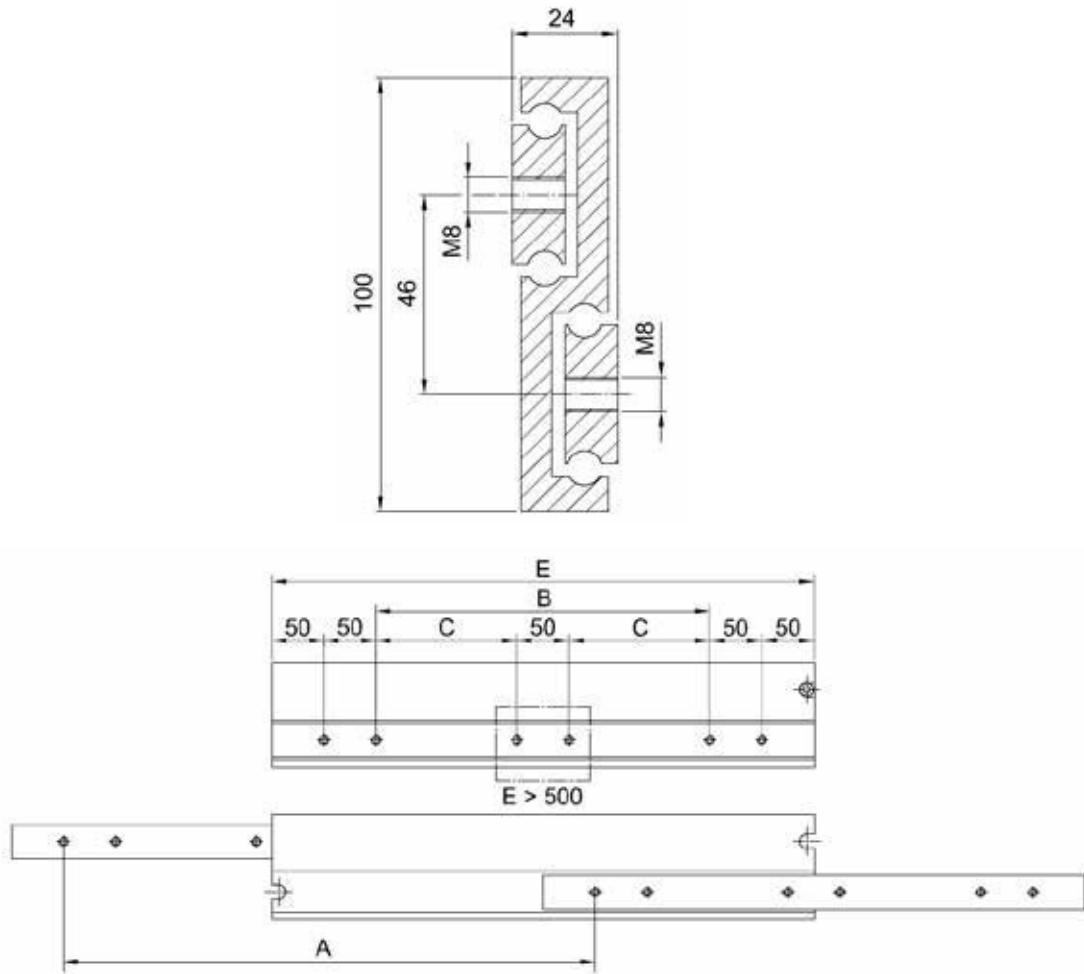


Load Table

Order Number	Hole separation (mm)		Installation length (mm)	Extension length (mm)	Net weight (kg)	Maximum load/pair (N)
	B	C				
NTVZ80-22-250	50		250	250	2.7	1600
NTVZ80-22-300	100		300	300	3.2	2000
NTVZ80-22-350	150		350	350	3.7	2200
NTVZ80-22-400	200		400	400	4.2	2350
NTVZ80-22-450	250		450	450	4.7	2450
NTVZ80-22-500	300		500	500	5.3	2450
NTVZ80-22-550		150	550	550	5.8	2450
NTVZ80-22-600		175	600	600	6.3	2400
NTVZ80-22-650		200	650	650	6.8	2300
NTVZ80-22-700		225	700	700	7.4	2200
NTVZ80-22-750		250	750	750	7.9	2100
NTVZ80-22-800		275	800	800	8.4	2000
NTVZ80-22-850		300	850	850	8.9	1900
NTVZ80-22-900		325	900	900	9.4	1800
NTVZ80-22-950		350	950	950	10.0	1650
NTVZ80-22-1000		375	1000	1000	10.5	1500

Ordercode and further options see last page. Your desired length is not listed in the table? No problem! Only the most common lengths are shown here. Please contact our application technology division.

NTVZ100-24



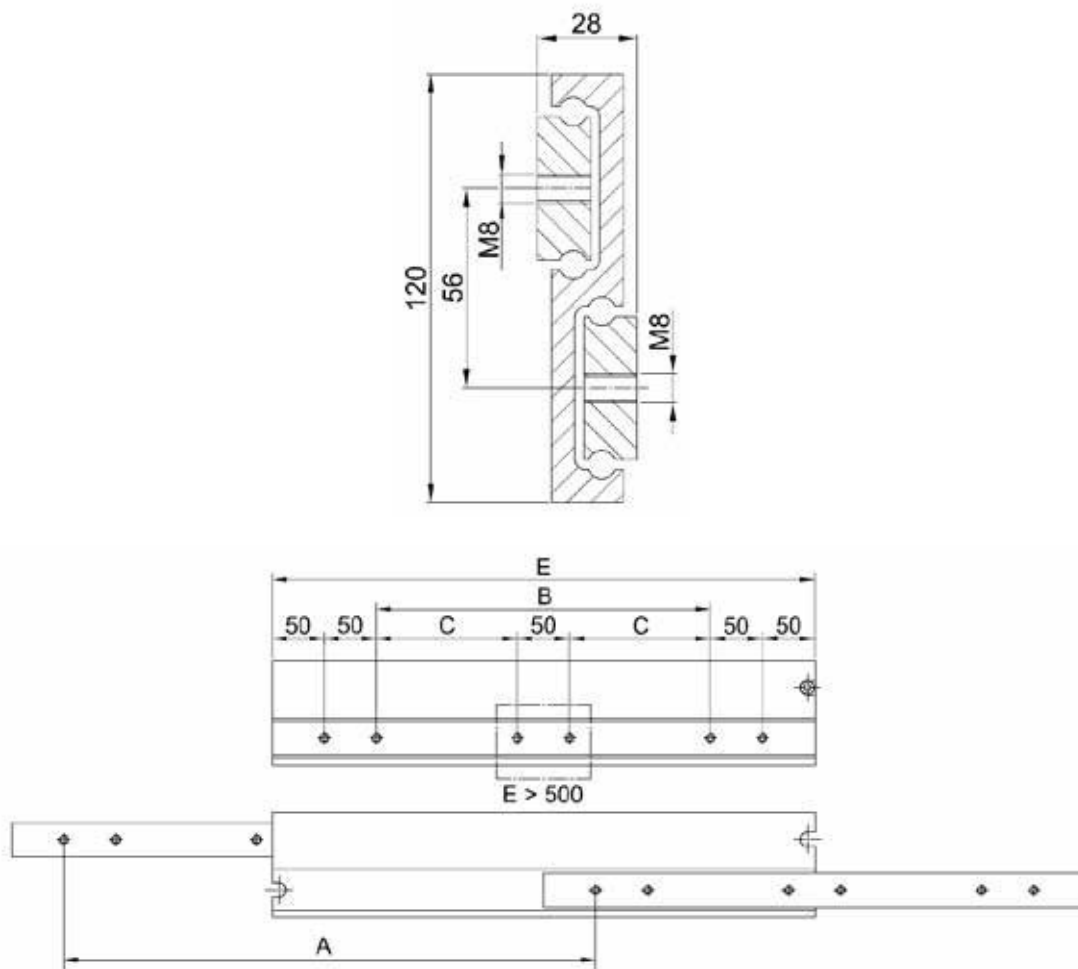
Load Table

Order Number	Hole separation (mm)		Installation length (mm)	Extension length (mm)	Net weight (kg)	Maximum load/pair (N)
	B	C				
NTVZ100-24-400	200		400	400	5.7	3200
NTVZ100-24-450	250		450	450	6.4	3500
NTVZ100-24-500	300		500	500	7.1	3600
NTVZ100-24-550		150	550	550	7.8	3600
NTVZ100-24-600		175	600	600	8.5	3550
NTVZ100-24-650		200	650	650	9.3	3450
NTVZ100-24-700		225	700	700	10.0	3300
NTVZ100-24-750		250	750	750	10.7	3150
NTVZ100-24-800		275	800	800	11.4	3000
NTVZ100-24-850		300	850	850	12.1	2850
NTVZ100-24-900		325	900	900	12.8	2700
NTVZ100-24-950		350	950	950	13.4	2550
NTVZ100-24-1000		375	1000	1000	14.2	2400
NTVZ100-24-1100		425	1100	1100	15.6	2250
NTVZ100-24-1200		475	1200	1200	17.1	2100
NTVZ100-24-1300		525	1300	1300	18.5	1950
NTVZ100-24-1400		575	1400	1400	19.9	1850
NTVZ100-24-1500		625	1500	1500	21.3	1600

Ordercode and further options see last page. Your desired length is not listed in the table? No problem! Only the most common lengths are shown here. Please contact our application technology division.

FULL EXTENSION

NTVZ120-28

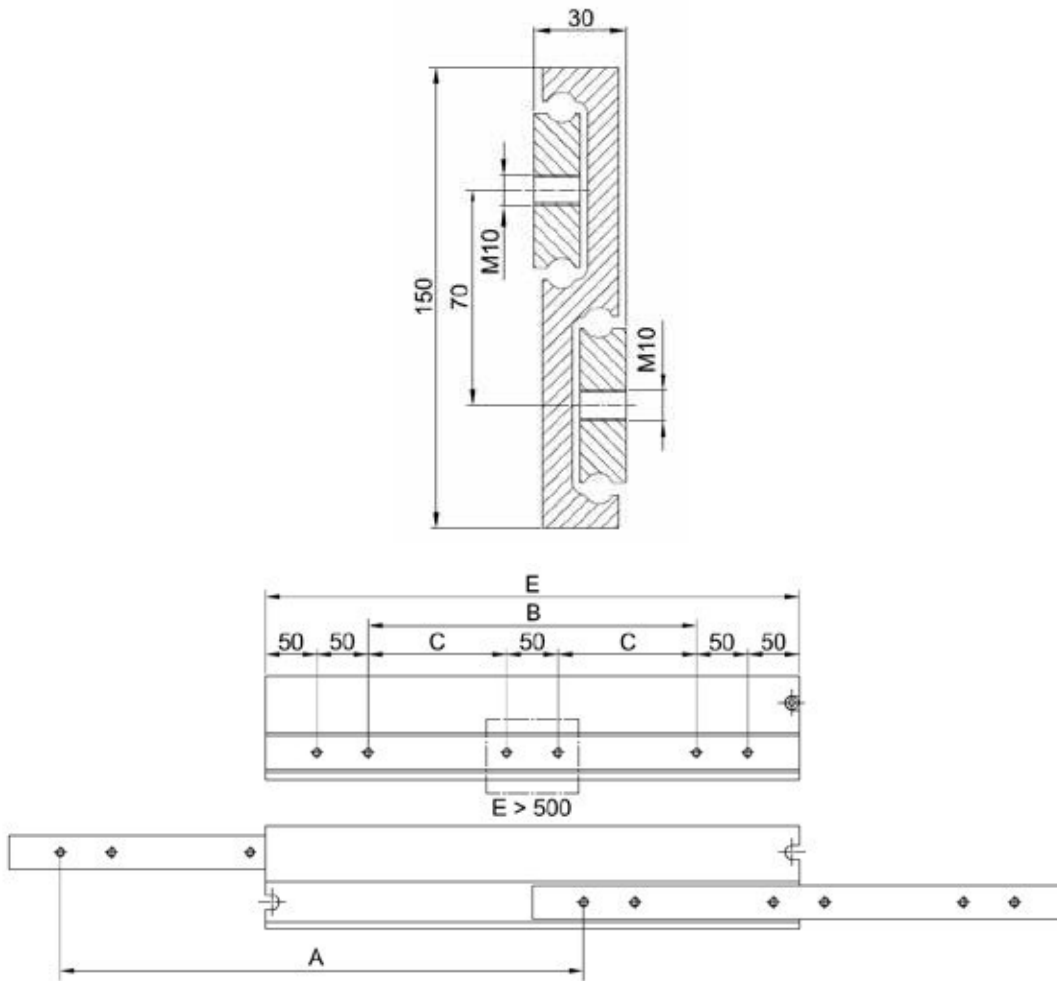


Load Table

Order Number	Hole separation (mm)		Installation length (mm)	Extension length (mm)	Net weight (kg)	Maximum load/pair (N)
	B	C	E	A		
NTVZ120-28-400	200		400	400	7.4	5250
NTVZ120-28-450	250		450	450	8.3	5350
NTVZ120-28-500	300		500	500	9.2	5400
NTVZ120-28-550		150	550	550	10.1	5500
NTVZ120-28-600		175	600	600	11.0	5400
NTVZ120-28-650		200	650	650	12.0	5350
NTVZ120-28-700		225	700	700	12.9	5250
NTVZ120-28-750		250	750	750	13.8	5100
NTVZ120-28-800		275	800	800	14.7	4900
NTVZ120-28-850		300	850	850	15.7	4700
NTVZ120-28-900		325	900	900	16.6	4500
NTVZ120-28-950		350	950	950	17.5	4300
NTVZ120-28-1000		375	1000	1000	18.4	4050
NTVZ120-28-1100		425	1100	1100	20.3	3700
NTVZ120-28-1200		475	1200	1200	22.1	3300
NTVZ120-28-1300		525	1300	1300	24.0	2900
NTVZ120-28-1400		575	1400	1400	25.8	2500
NTVZ120-28-1500		625	1500	1500	27.6	2100

Ordercode and further options see last page. Your desired length is not listed in the table? No problem! Only the most common lengths are shown here. Please contact our application technology division.

NTVZ150-30



Load Table

Order Number	Hole separation (mm)		Installation length (mm)	Extension length (mm)	Net weight (kg)	Maximum load/pair (N)
	B	C	E	A		
NTVZ150-30-400	200		400	400	10.9	6500
NTVZ150-30-450	250		450	450	12.3	7000
NTVZ150-30-500	300		500	500	13.6	7200
NTVZ150-30-550		150	550	550	15.0	7400
NTVZ150-30-600		175	600	600	16.4	7400
NTVZ150-30-650		200	650	650	17.7	7300
NTVZ150-30-700		225	700	700	19.1	7150
NTVZ150-30-750		250	750	750	20.5	6950
NTVZ150-30-800		275	800	800	21.8	6750
NTVZ150-30-850		300	850	850	23.2	6550
NTVZ150-30-900		325	900	900	24.6	6300
NTVZ150-30-950		350	950	950	26.0	6100
NTVZ150-30-1000		375	1000	1000	27.3	5800
NTVZ150-30-1100		425	1100	1100	30.0	5450
NTVZ150-30-1200		475	1200	1200	32.7	5000
NTVZ150-30-1300		525	1300	1300	35.5	4550
NTVZ150-30-1400		575	1400	1400	38.2	4100
NTVZ150-30-1500		625	1500	1500	40.9	3650

Ordercode and further options see last page. Your desired length is not listed in the table? No problem! Only the most common lengths are shown here. Please contact our application technology division.