

HEAVY DUTY EXTENSIONS



PAGE 54

4.1 PRODUCT OVERVIEW

PAGE 58

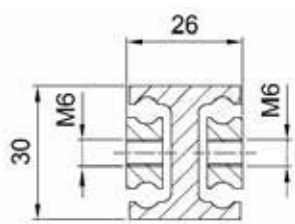
4.2 HEAVY DUTY EXTENSIONS

- NTS30-26
- NTS33-30
- NTS33-34
- NTS35-30
- NTS40-26
- NTS50-30
- NTS60-32
- NTS70-36
- NTS80-36
- NTS100-44
- NTS120-44
- NTS150-56
- NTS200-72
- NTS250-74
- NTS250-104

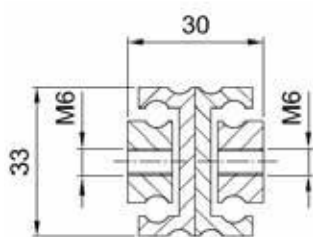
PRODUCT OVERVIEW

HEAVY DUTY EXTENSIONS

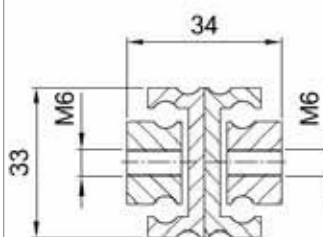
NTS30-26



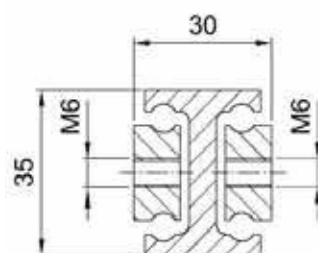
NTS33-30



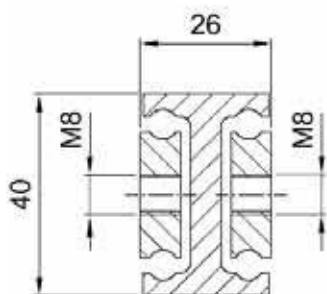
NTS33-34



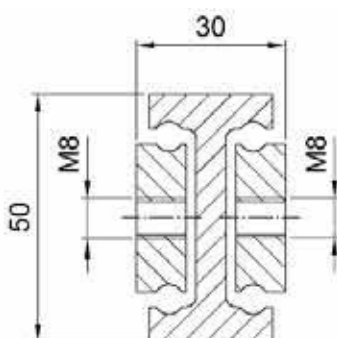
NTS35-30



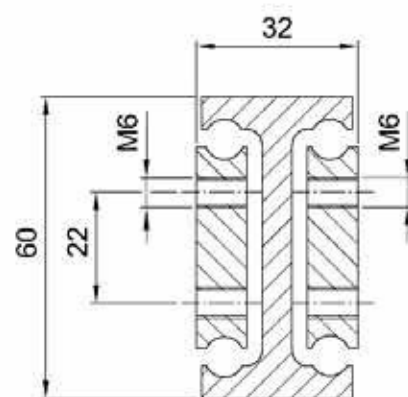
NTS40-26



NTS50-30

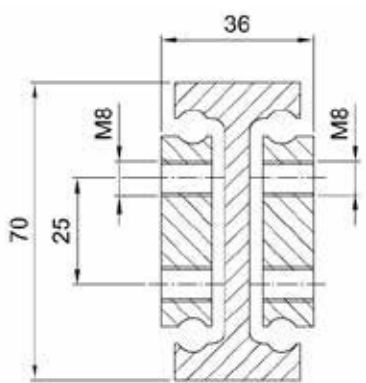


NTS60-32

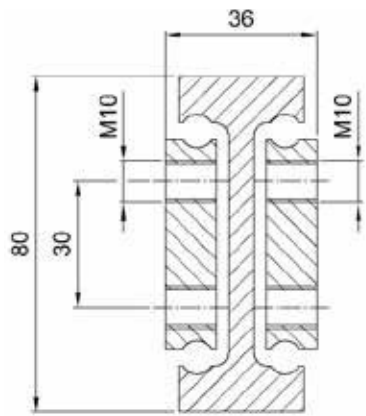


HEAVY DUTY EXTENSIONS

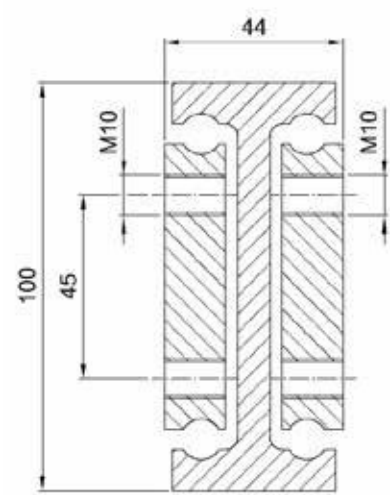
NTS70-36



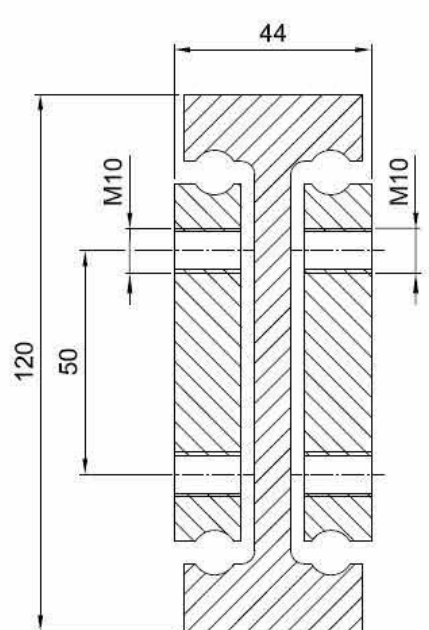
NTS80-36



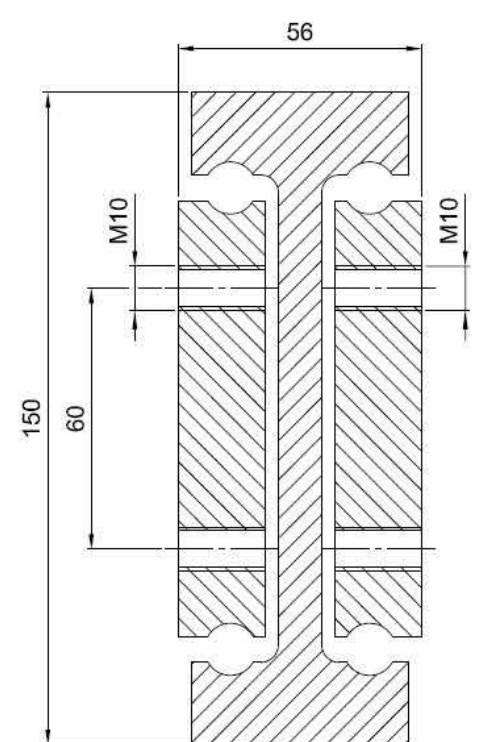
NTS100-44



NTS120-44



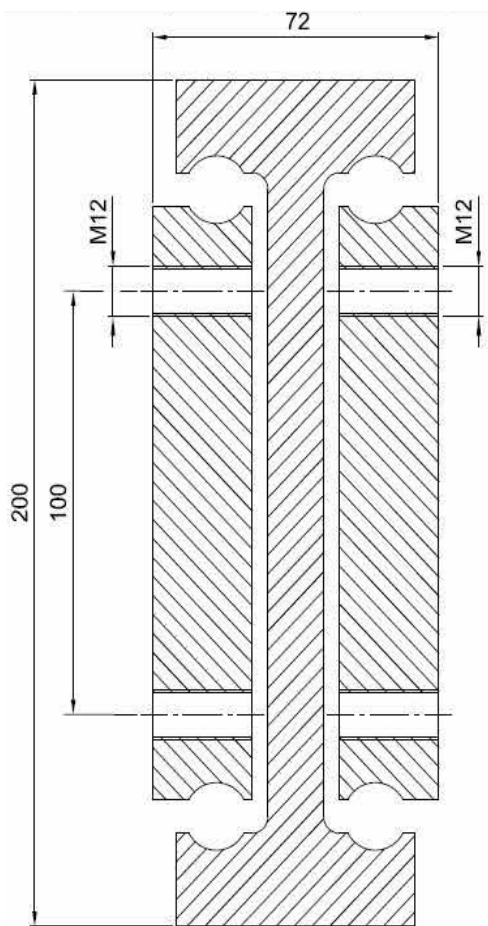
NTS150-56



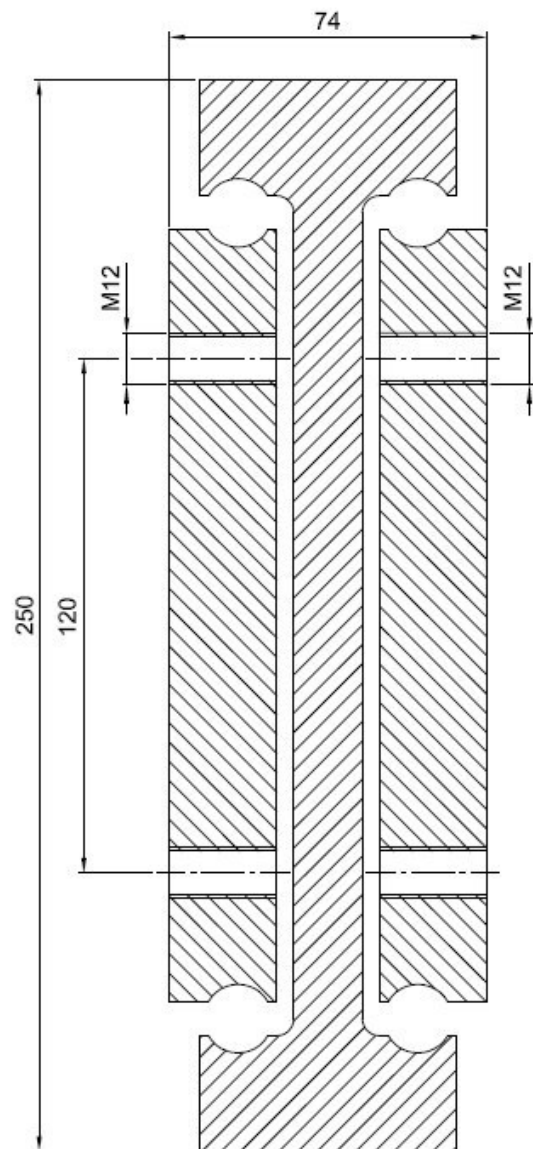
PRODUCT OVERVIEW

HEAVY DUTY EXTENSIONS

NTS200-72

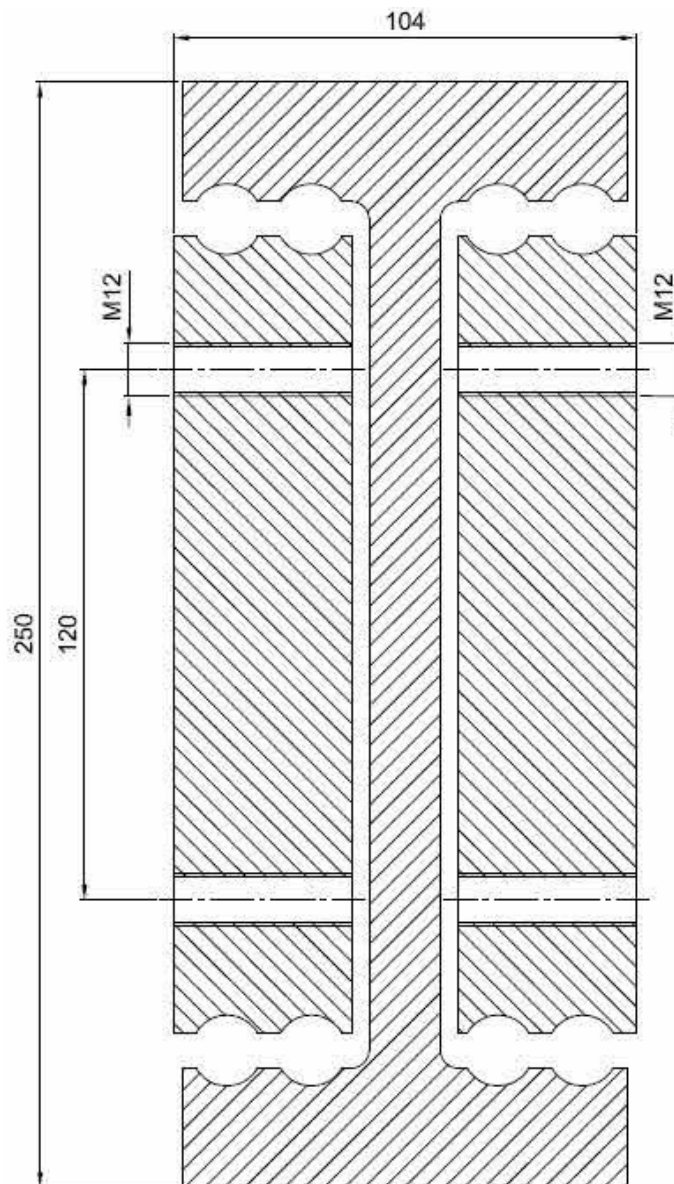


NTS250-74



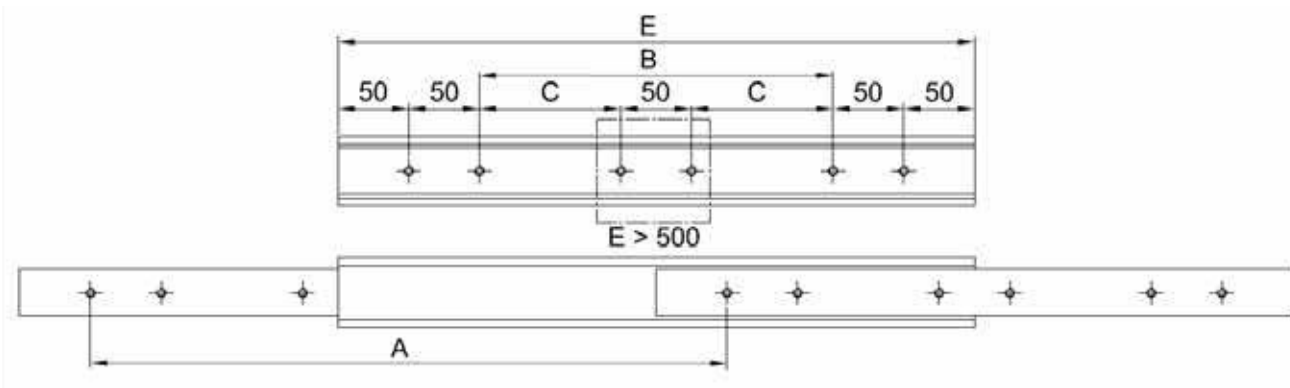
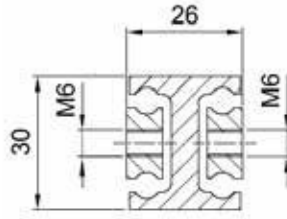
HEAVY DUTY EXTENSIONS

NTS250-104



HEAVY DUTY EXTENSION

NTS30-26



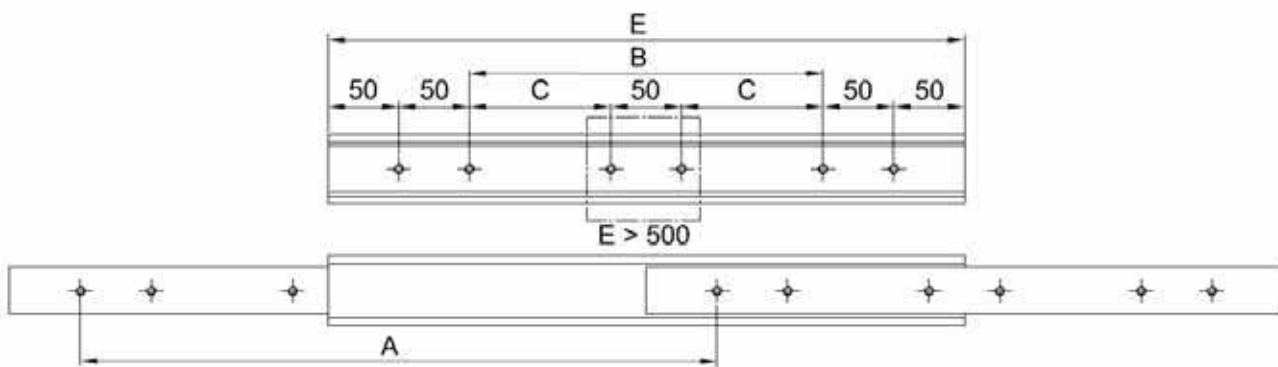
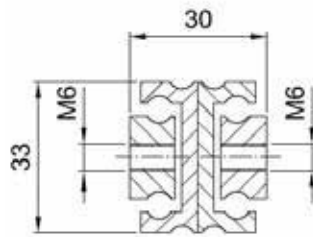
Load Table

Order Number	Hole separation (mm)		Installation length (mm)	Extension length (mm)	Net weight (kg)	Maximum load/pair (N)
	B	C	E	A		
NTS30-26-250	50		250	250	1.2	1000
NTS30-26-300	100		300	300	1.4	1050
NTS30-26-350	150		350	350	1.6	1100
NTS30-26-400	200		400	400	1.8	1100
NTS30-26-450	250		450	450	2.1	1050
NTS30-26-500	300		500	500	2.3	1050
NTS30-26-550		150	550	550	2.5	1000
NTS30-26-600		175	600	600	2.8	1000
NTS30-26-650		200	650	650	3.0	950
NTS30-26-700		225	700	700	3.2	900
NTS30-26-750		250	750	750	3.5	850
NTS30-26-800		275	800	800	3.7	800
NTS30-26-850		300	850	850	3.9	750
NTS30-26-900		325	900	900	4.1	700
NTS30-26-950		350	950	950	4.4	650
NTS30-26-1000		375	1000	1000	4.6	600

Note: This telescopic rail is only available in NX2, NX4 or A.

Ordercode and further options see last page. Your desired length is not listed in the table? No problem! Only the most common lengths are shown here. Please contact our application technology division.

NTS33-30

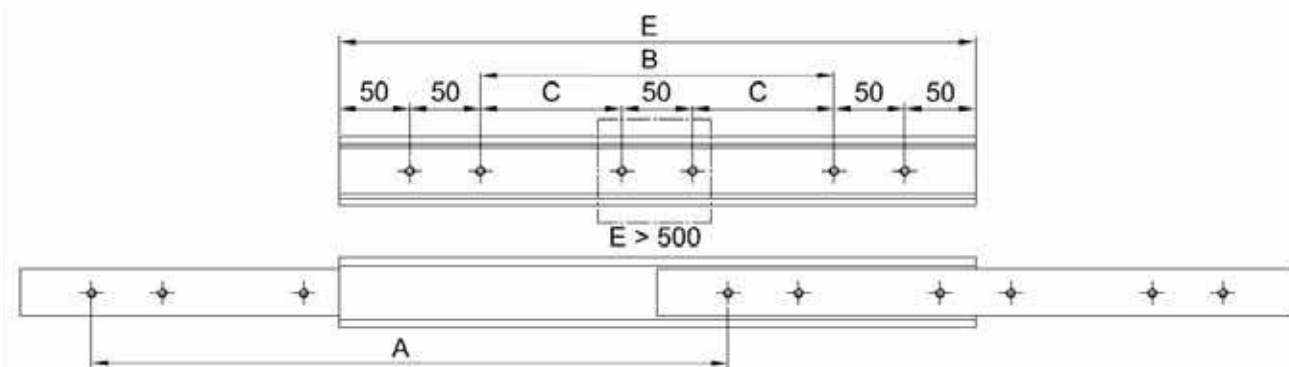
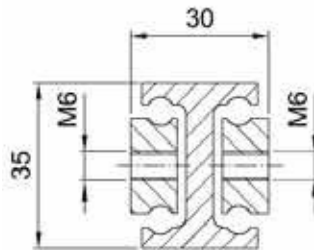


Load Table

Order Number	Hole separation (mm)		Installation length (mm)	Extension length (mm)	Net weight (kg)	Maximum load/pair (N)
	B	C	E	A		
NTS33-30-250	50		250	250	1.6	1200
NTS33-30-300	100		300	300	2.0	1250
NTS33-30-350	150		350	350	2.3	1300
NTS33-30-400	200		400	400	2.6	1300
NTS33-30-450	250		450	450	3.0	1250
NTS33-30-500	300		500	500	3.3	1250
NTS33-30-550		150	550	550	3.6	1200
NTS33-30-600		175	600	600	3.9	1200
NTS33-30-650		200	650	650	4.3	1150
NTS33-30-700		225	700	700	4.6	1100
NTS33-30-750		250	750	750	4.9	1050
NTS33-30-800		275	800	800	5.2	1000
NTS33-30-850		300	850	850	5.5	950
NTS33-30-900		325	900	900	5.8	900
NTS33-30-950		350	950	950	6.1	850
NTS33-30-1000		375	1000	1000	6.4	800

Ordercode and further options see last page. Your desired length is not listed in the table? No problem! Only the most common lengths are shown here. Please contact our application technology division.

NTS35-30



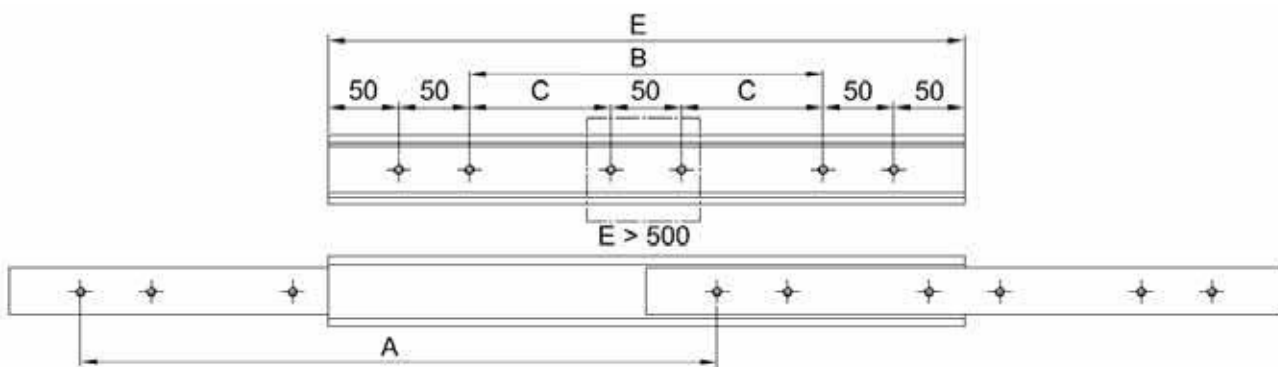
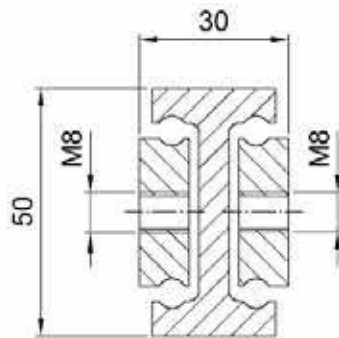
Load Table

Order Number	Hole separation (mm)		Installation length (mm)	Extension length (mm)	Net weight (kg)	Maximum load/pair (N)
	B	C	E	A		
NTS35-30-250	50		250	250	1.6	1300
NTS35-30-300	100		300	300	1.9	1350
NTS35-30-350	150		350	350	2.2	1400
NTS35-30-400	200		400	400	2.5	1400
NTS35-30-450	250		450	450	2.8	1350
NTS35-30-500	300		500	500	3.1	1350
NTS35-30-550		150	550	550	3.4	1300
NTS35-30-600		175	600	600	3.7	1300
NTS35-30-650		200	650	650	4.0	1250
NTS35-30-700		225	700	700	4.3	1200
NTS35-30-750		250	750	750	4.6	1150
NTS35-30-800		275	800	800	5.0	1100
NTS35-30-850		300	850	850	5.3	1050
NTS35-30-900		325	900	900	5.6	1000
NTS35-30-950		350	950	950	5.9	950
NTS35-30-1000		375	1000	1000	6.2	900

Note: This telescopic rail is only available in NX2, NX4 or A.

Ordercode and further options see last page. Your desired length is not listed in the table? No problem! Only the most common lengths are shown here. Please contact our application technology division.

NTS50-30



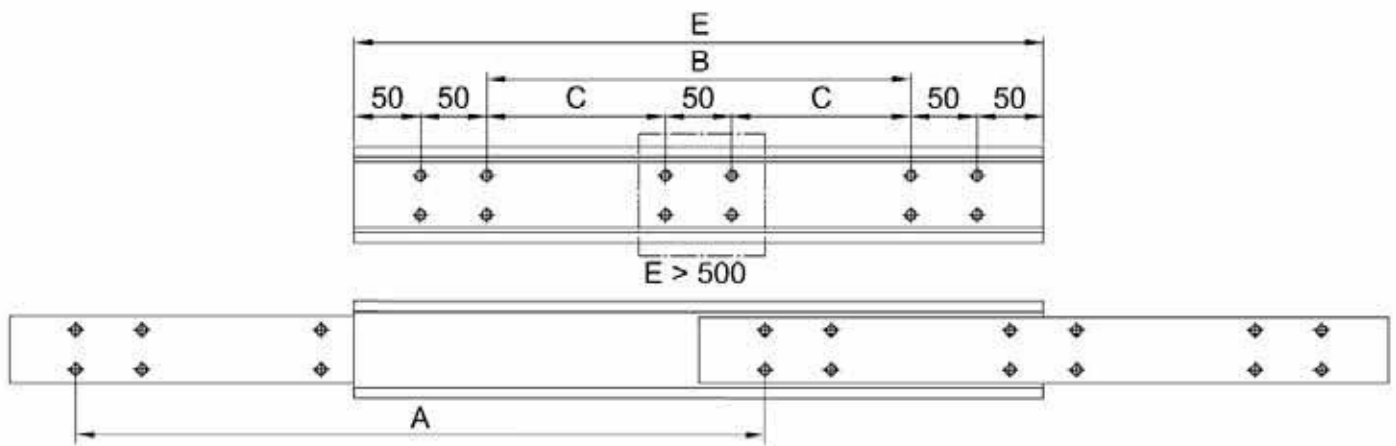
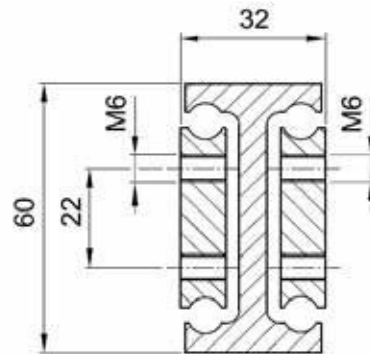
Load Table

Order Number	Hole separation (mm)		Installation length (mm)	Extension length (mm)	Net weight (kg)	Maximum load/pair (N)
	B	C				
NTS50-30-250	50		250	250	2.4	2000
NTS50-30-300	100		300	300	2.9	2300
NTS50-30-350	150		350	350	3.2	2500
NTS50-30-400	200		400	400	3.7	2650
NTS50-30-450	250		450	450	4.1	2750
NTS50-30-500	300		500	500	4.6	2800
NTS50-30-550		150	550	550	5.0	2700
NTS50-30-600		175	600	600	5.5	2700
NTS50-30-650		200	650	650	6.0	2650
NTS50-30-700		225	700	700	6.4	2550
NTS50-30-750		250	750	750	6.9	2450
NTS50-30-800		275	800	800	7.3	2350
NTS50-30-850		300	850	850	7.8	2250
NTS50-30-900		325	900	900	8.3	2150
NTS50-30-950		350	950	950	8.7	2050
NTS50-30-1000		375	1000	1000	9.2	1950
NTS50-30-1050		400	1050	1050	9.6	1850
NTS50-30-1100		425	1100	1100	10.1	1750
NTS50-30-1150		450	1150	1150	10.6	1700
NTS50-30-1200		475	1200	1200	11.0	1650
NTS50-30-1250		500	1250	1250	11.5	1500

Ordercode and further options see last page. Your desired length is not listed in the table? No problem! Only the most common lengths are shown here. Please contact our application technology division.

HEAVY DUTY EXTENSION

NTS60-32

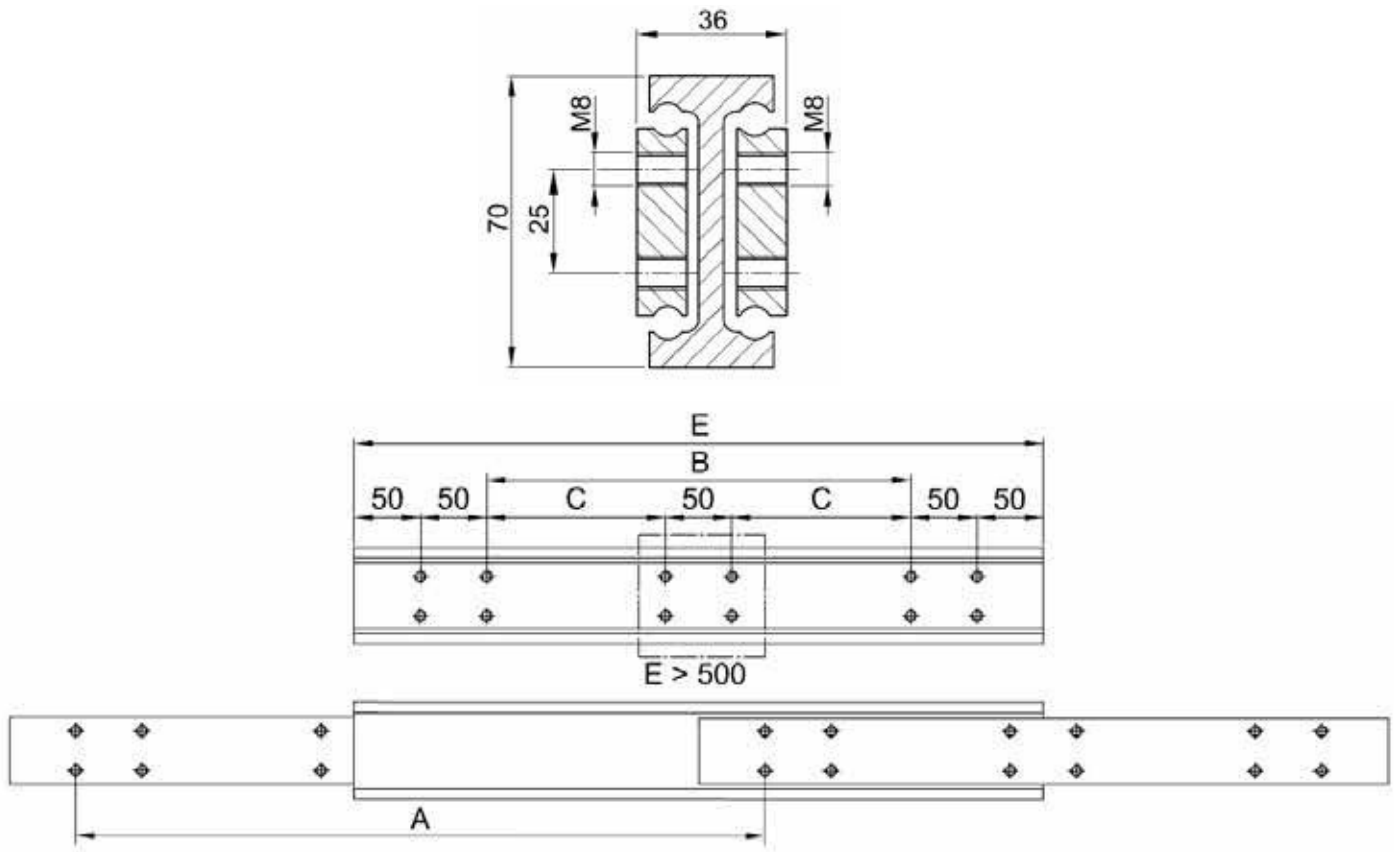


Load Table

Order Number	Hole separation (mm)		Installation length (mm)	Extension length (mm)	Net weight (kg)	Maximum load/pair (N)
	B	C	E	A		
NTS60-32-400	200		400	400	4.6	5250
NTS60-32-450	250		450	450	5.2	5350
NTS60-32-500	300		500	500	5.8	5400
NTS60-32-550		150	550	550	6.4	5500
NTS60-32-600		175	600	600	7.0	5400
NTS60-32-660		200	650	650	7.6	5350
NTS60-32-700		225	700	700	8.2	5350
NTS60-32-750		250	750	750	8.7	5100
NTS60-32-800		275	800	800	9.3	4900
NTS60-32-850		300	850	850	9.9	4700
NTS60-32-900		325	900	900	10.5	4500
NTS60-32-950		350	950	950	11.1	4300
NTS60-32-1000		375	1000	1000	11.7	4050
NTS60-32-1050		400	1050	1050	12.3	3850
NTS60-32-1100		425	1100	1100	12.9	3700
NTS60-32-1150		450	1150	1150	13.5	3500
NTS60-32-1200		475	1200	1200	14.0	3300
NTS60-32-1250		500	1250	1250	14.6	3100
NTS60-32-1300		525	1300	1300	15.2	2900
NTS60-32-1400		550	1400	1400	16.4	2500

Ordercode and further options see last page. Your desired length is not listed in the table? No problem! Only the most common lengths are shown here. Please contact our application technology division.

NTS70-36



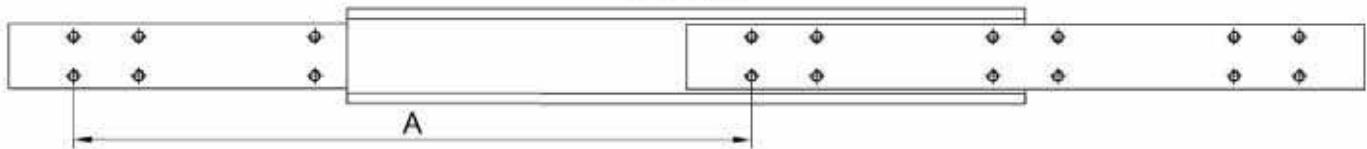
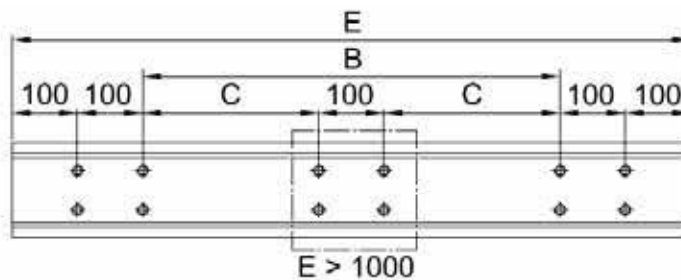
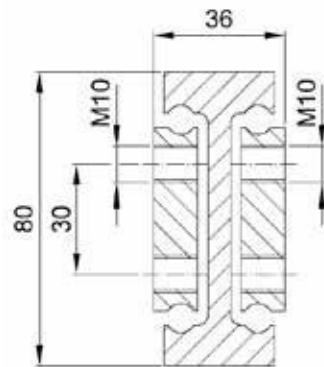
Load Table

Order Number	Hole separation (mm)		Installation length (mm)	Extension length (mm)	Net weight (kg)	Maximum load/pair (N)
	B	C				
NTS70-36-400	200		400	400	5.8	6500
NTS70-36-450	250		450	450	6.6	7000
NTS70-36-500	300		500	500	7.3	7200
NTS70-36-550		150	550	550	7.9	7400
NTS70-36-600		175	600	600	8.5	7400
NTS70-36-660		200	650	650	9.1	7300
NTS70-36-700		225	700	700	9.7	7150
NTS70-36-750		250	750	750	10.2	6950
NTS70-36-800		275	800	800	10.8	6750
NTS70-36-850		300	850	850	11.4	6550
NTS70-36-900		325	900	900	12.0	6300
NTS70-36-950		350	950	950	12.6	6100
NTS70-36-1000		375	1000	1000	13.2	5800
NTS70-36-1050		400	1050	1050	13.9	5600
NTS70-36-1100		425	1100	1100	14.5	5450
NTS70-36-1150		450	1150	1150	15.2	5200
NTS70-36-1200		475	1200	1200	16.7	5000
NTS70-36-1250		500	1250	1250	17.1	4775
NTS70-36-1300		525	1300	1300	17.5	4550
NTS70-36-1400		575	1400	1400	19.0	4100
NTS70-36-1500		625	1500	1500	20.5	3650

Ordercode and further options see last page. Your desired length is not listed in the table? No problem! Only the most common lengths are shown here. Please contact our application technology division.

HEAVY DUTY EXTENSION

NTS80-36

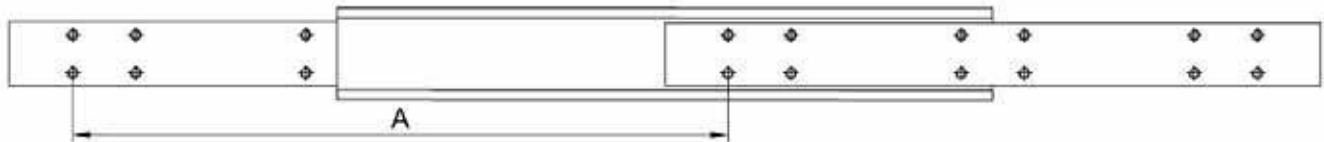
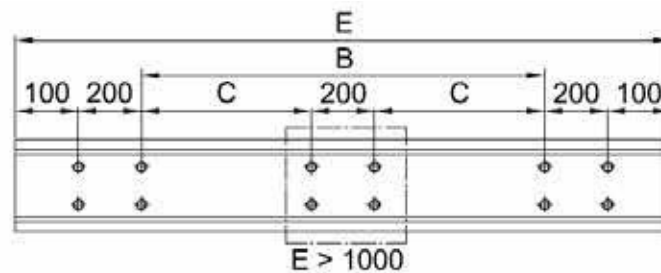
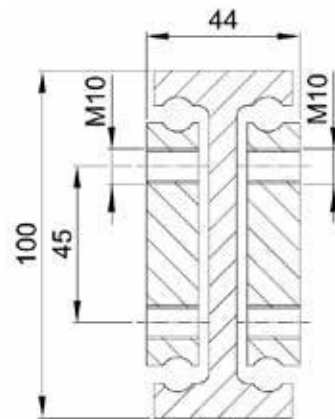


Load Table

Order Number	Hole separation (mm)		Installation length (mm)	Extension length (mm)	Net weight (kg)	Maximum load/pair (N)
	B	C	E	A		
NTS80-36-500	100		500	500	8.8	9000
NTS80-36-550	150		550	550	9.6	9250
NTS80-36-600	200		600	600	10.5	9350
NTS80-36-650	250		650	650	11.4	9200
NTS80-36-700	300		700	700	12.3	9050
NTS80-36-750	350		750	750	13.1	8800
NTS80-36-800	400		800	800	14.0	8600
NTS80-36-850	450		850	850	14.9	8350
NTS80-36-900	500		900	900	15.8	8100
NTS80-36-950	550		950	950	16.6	7850
NTS80-36-1000	600		1000	1000	17.5	7650
NTS80-36-1100		300	1100	1100	19.3	7150
NTS80-36-1200		350	1200	1200	21.0	6700
NTS80-36-1300		400	1300	1300	22.8	6200
NTS80-36-1400		450	1400	1400	24.5	5700
NTS80-36-1500		500	1500	1500	26.3	5200
NTS80-36-1600		550	1600	1600	28.0	4600
NTS80-36-1700		600	1700	1700	29.8	4100
NTS80-36-1800		650	1800	1800	31.5	3600
NTS80-36-1900		700	1900	1900	33.3	3000
NTS80-36-2000		750	2000	2000	35.0	2600

Ordercode and further options see last page. Your desired length is not listed in the table? No problem! Only the most common lengths are shown here. Please contact our application technology division.

NTS100-44



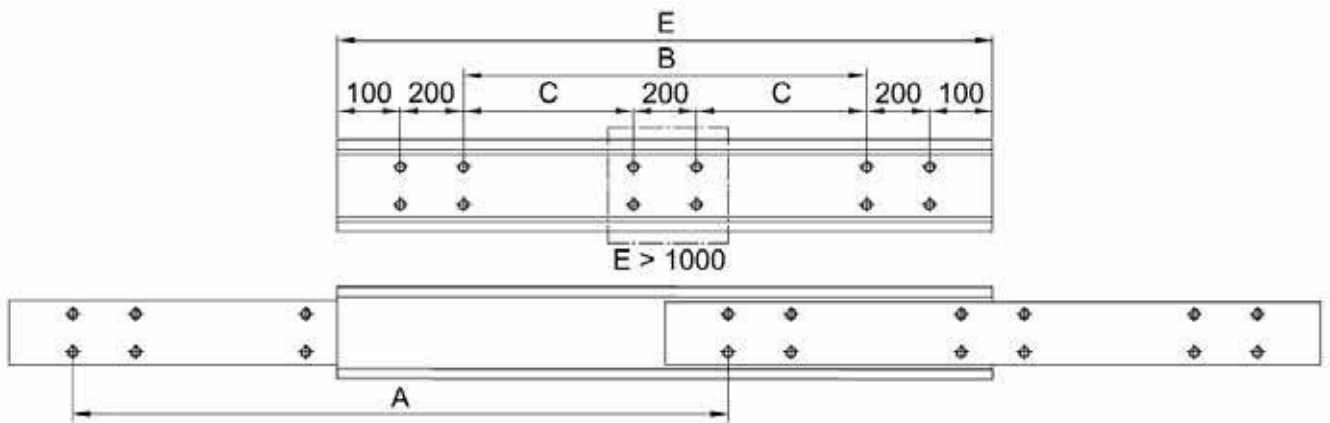
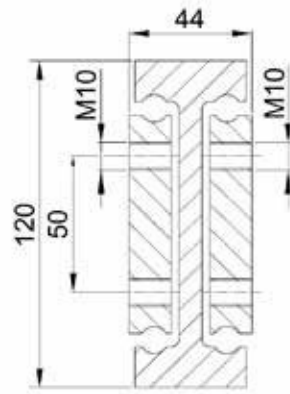
Load Table

Order Number	Hole separation (mm)		Installation length (mm)	Extension length (mm)	Net weight (kg)	Maximum load/pair (N)
	B	C	E	A		
NTS100-44-700	100		700	700	19.3	11000
NTS100-44-750	150		750	750	20.7	10750
NTS100-44-800	200		800	800	22.1	10500
NTS100-44-850	250		850	850	23.5	10250
NTS100-44-900	300		900	900	24.9	10000
NTS100-44-950	350		950	950	26.2	9750
NTS100-44-1000	400		1000	1000	27.6	9500
NTS100-44-1100		150	1100	1100	30.4	9000
NTS100-44-1200		200	1200	1200	33.2	8500
NTS100-44-1300		250	1300	1300	36.0	7900
NTS100-44-1400		300	1400	1400	38.7	7300
NTS100-44-1500		350	1500	1500	41.5	6700
NTS100-44-1600		400	1600	1600	44.2	6100
NTS100-44-1700		450	1700	1700	47.0	5450
NTS100-44-1800		500	1800	1800	49.7	4800
NTS100-44-1900		550	1900	1900	52.5	4100
NTS100-44-2000		600	2000	2000	55.3	3500
NTS100-44-2100		650	2100	2100	58.1	3000
NTS100-44-2200		700	2200	2200	60.9	2600
NTS100-44-2300		750	2300	2300	63.7	2300
NTS100-44-2400		800	2400	2400	66.5	2100

Ordercode and further options see last page. Your desired length is not listed in the table? No problem! Only the most common lengths are shown here. Please contact our application technology division.

HEAVY DUTY EXTENSION

NTS120-44

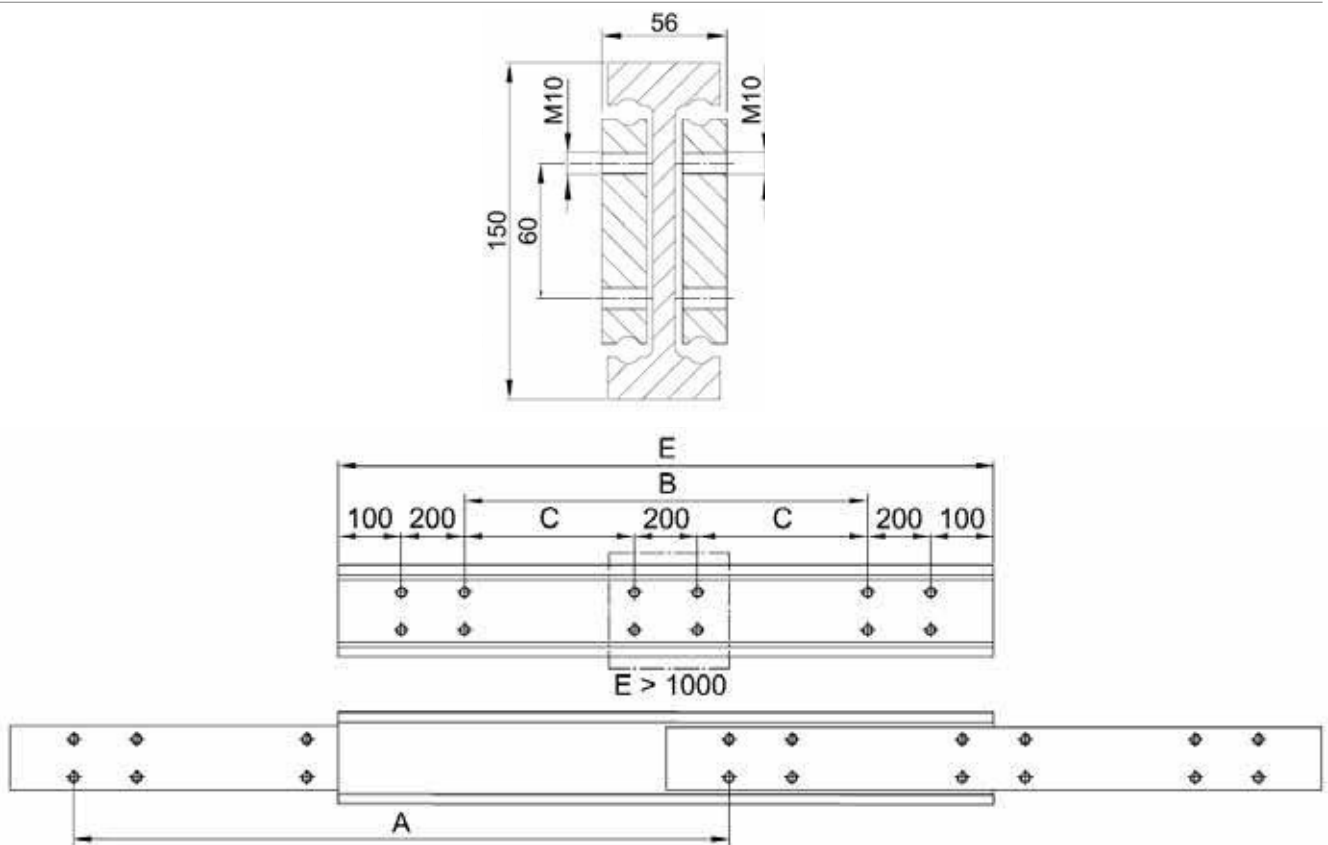


Load Table

Order Number	Hole separation (mm)		Installation length (mm)	Extension length (mm)	Net weight (kg)	Maximum load/pair (N)
	B	C				
NTS120-44-700	100		700	700	23.3	11500
NTS120-44-750	150		750	750	25.0	11800
NTS120-44-800	200		800	800	26.7	11800
NTS120-44-850	250		850	850	28.4	11550
NTS120-44-900	300		900	900	30.1	11300
NTS120-44-950	350		950	950	31.7	11050
NTS120-44-1000	400		1000	1000	33.4	10800
NTS120-44-1100		150	1100	1100	36.7	10300
NTS120-44-1200		200	1200	1200	40.1	9800
NTS120-44-1300		250	1300	1300	43.4	9200
NTS120-44-1400		300	1400	1400	46.8	8600
NTS120-44-1500		350	1500	1500	50.2	8000
NTS120-44-1600		400	1600	1600	53.5	7400
NTS120-44-1700		450	1700	1700	56.8	6800
NTS120-44-1800		500	1800	1800	60.2	6100
NTS120-44-1900		550	1900	1900	63.5	5400
NTS120-44-2000		600	2000	2000	66.9	4700
NTS120-44-2100		650	2100	2100	70.3	3900
NTS120-44-2200		700	2200	2200	73.7	3350
NTS120-44-2300		750	2300	2300	77.1	2950
NTS120-44-2400		800	2400	2400	80.5	2750

Ordercode and further options see last page. Your desired length is not listed in the table? No problem! Only the most common lengths are shown here. Please contact our application technology division.

NTS150-56



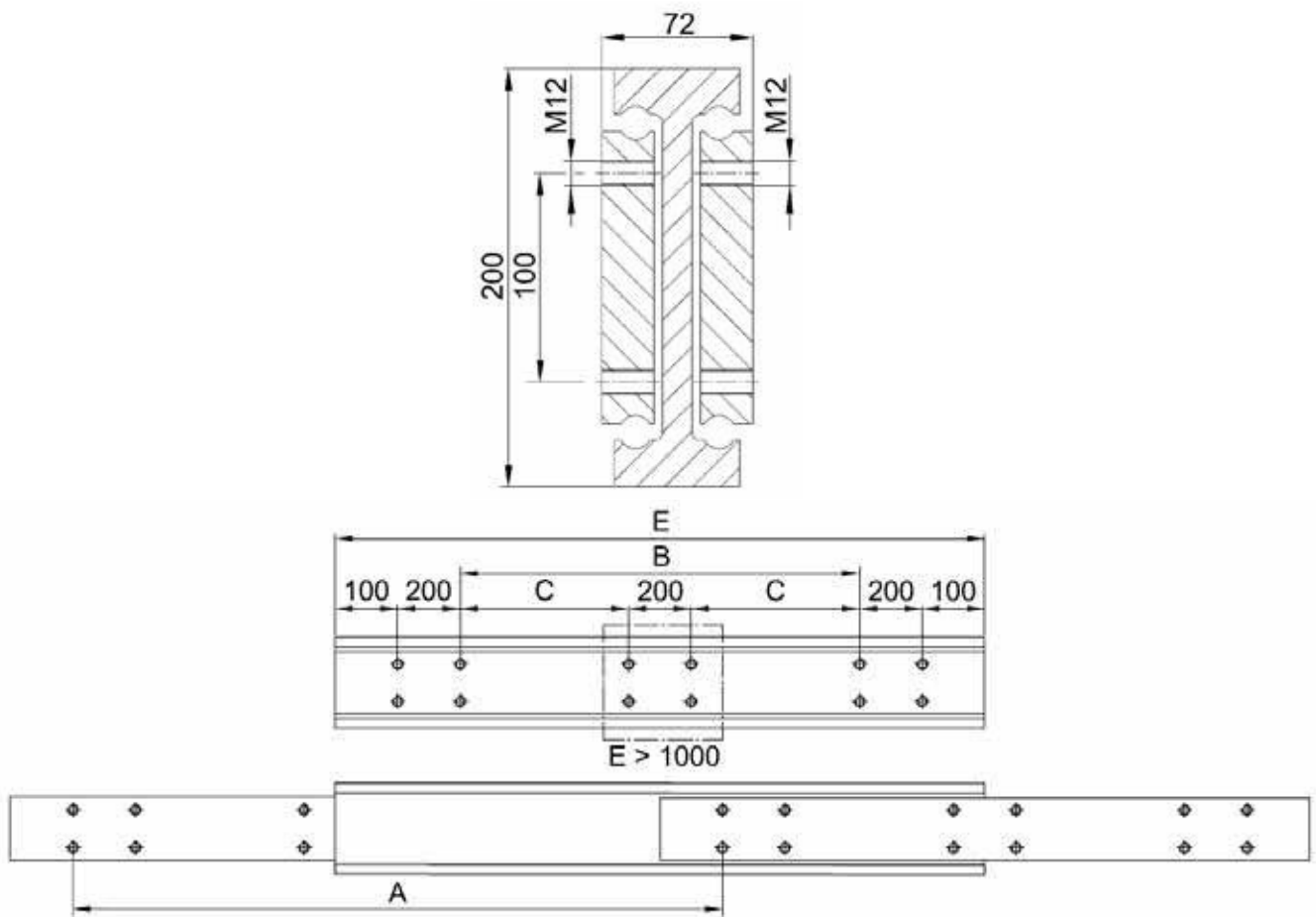
Load Table

Order Number	Hole separation (mm)		Installation length (mm)	Extension length (mm)	Net weight (kg)	Maximum load/pair (N)
	B	C				
NTS150-56-700	100		700	700	38.6	13900
NTS150-56-750	150		750	750	41.3	13700
NTS150-56-800	200		800	800	44.0	13500
NTS150-56-850	250		850	850	46.7	13300
NTS150-56-900	300		900	900	49.5	13100
NTS150-56-950	350		950	950	52.3	12800
NTS150-56-1000	400		1000	1000	55.0	12500
NTS150-56-1100		150	1100	1100	60.4	12100
NTS150-56-1200		200	1200	1200	66.0	11700
NTS150-56-1300		250	1300	1300	71.4	11300
NTS150-56-1400		300	1400	1400	76.9	10900
NTS150-56-1500		350	1500	1500	82.4	10400
NTS150-56-1600		400	1600	1600	87.9	9900
NTS150-56-1700		450	1700	1700	93.5	9250
NTS150-56-1800		500	1800	1800	99.0	8600
NTS150-56-1900		550	1900	1900	104.0	7800
NTS150-56-2000		600	2000	2000	109.9	7000
NTS150-56-2100		650	2100	2100	115.8	6200
NTS150-56-2200		700	2200	2200	121.7	5400
NTS150-56-2300		750	2300	2300	127.6	4600
NTS150-56-2400		800	2400	2400	133.5	3800

Ordercode and further options see last page. Your desired length is not listed in the table? No problem! Only the most common lengths are shown here. Please contact our application technology division.

HEAVY DUTY EXTENSION

NTS200-72

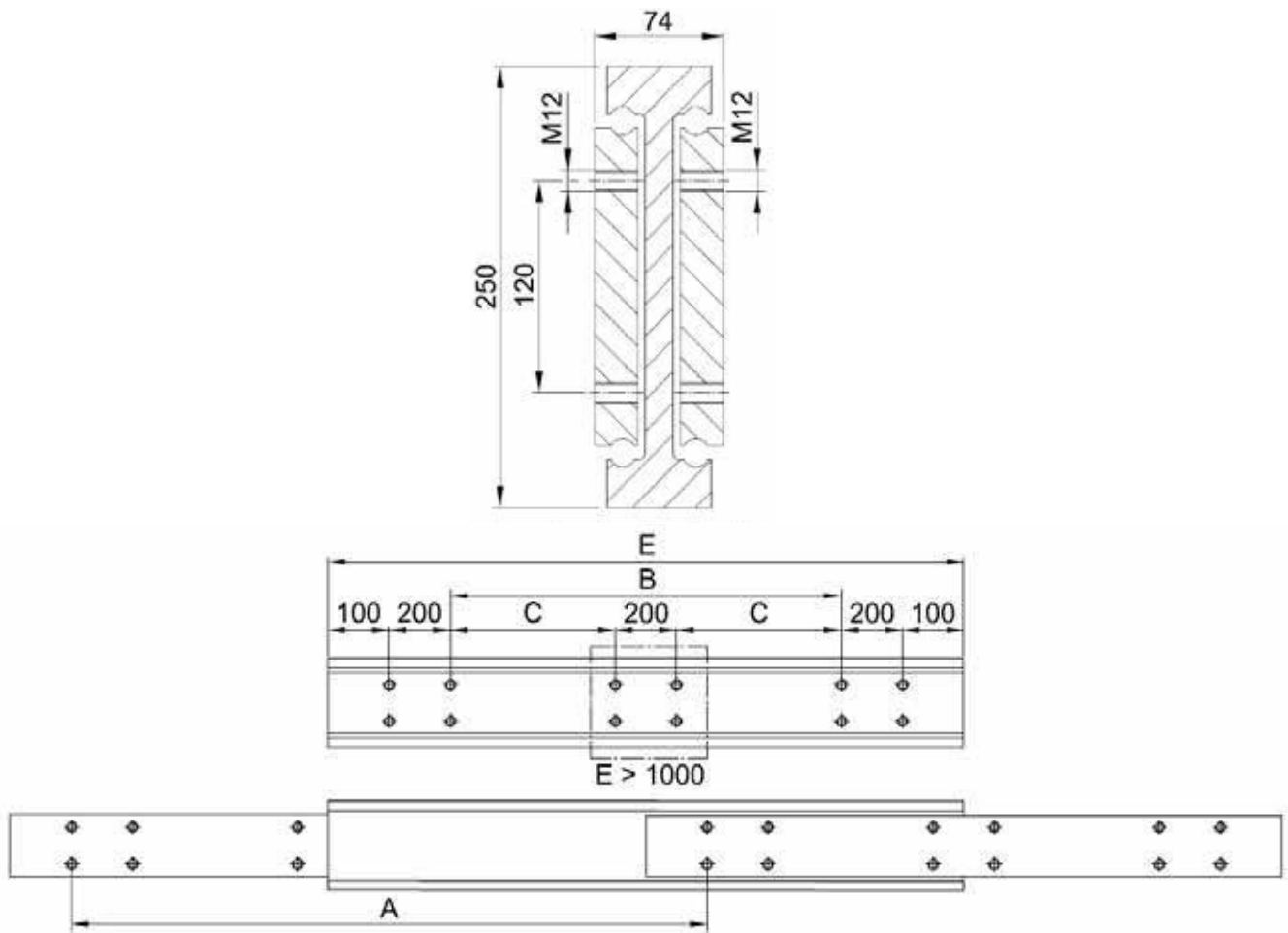


Load Table

Order Number	Hole separation (mm)		Installation length (mm)	Extension length (mm)	Net weight (kg)	Maximum load/pair (N)
	B	C				
NTS200-72-700	100		700	700	64.9	15000
NTS200-72-750	150		750	750	69.5	16000
NTS200-72-800	200		800	800	74.1	17000
NTS200-72-850	250		850	850	78.8	17500
NTS200-72-900	300		900	900	83.4	17500
NTS200-72-950	350		950	950	88.1	17200
NTS200-72-1000	400		1000	1000	92.7	17000
NTS200-72-1100		150	1100	1100	102.0	16500
NTS200-72-1200		200	1200	1200	111.2	16000
NTS200-72-1300		250	1300	1300	120.5	15500
NTS200-72-1400		300	1400	1400	129.7	15000
NTS200-72-1500		350	1500	1500	139.0	14400
NTS200-72-1600		400	1600	1600	148.3	13600
NTS200-72-1700		450	1700	1700	157.5	12800
NTS200-72-1800		500	1800	1800	166.8	12000
NTS200-72-1900		550	1900	1900	176.0	11000
NTS200-72-2000		600	2000	2000	185.3	10000
NTS200-72-2100		650	2100	2100	194.6	9000
NTS200-72-2200		700	2200	2200	203.9	8000
NTS200-72-2300		750	2300	2300	213.1	6700

Ordercode and further options see last page. Your desired length is not listed in the table? No problem! Only the most common lengths are shown here. Please contact our application technology division.

NTS250-74

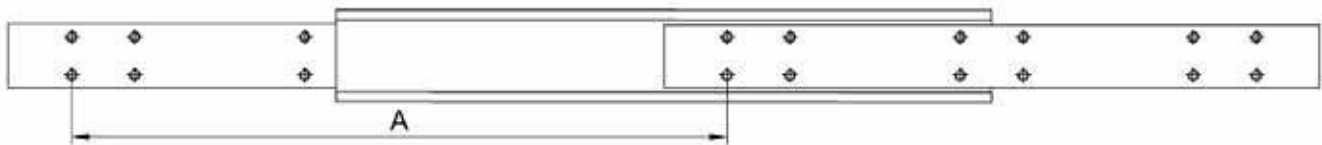
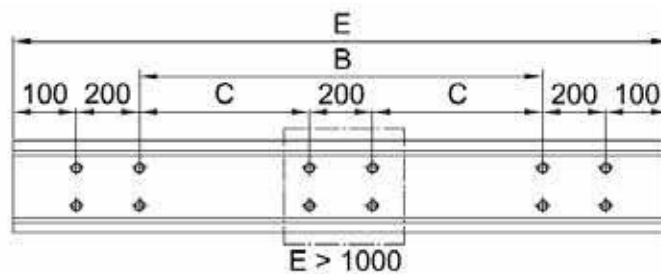
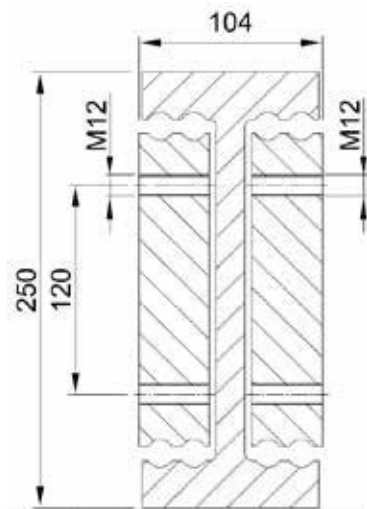


Order Number	Load Table					
	Hole separation (mm)		Installation length (mm)	Extension length (mm)	Net weight (kg)	Maximum load/pair (N)
	B	C	E	A		
NTS250-74-700	100		700	700	81.8	17500
NTS250-74-750	150		750	750	87.7	18500
NTS250-74-800	200		800	800	93.5	19500
NTS250-74-850	250		850	850	99.4	20000
NTS250-74-900	300		900	900	105.2	20000
NTS250-74-950	350		950	950	111.0	19700
NTS250-74-1000	400		1000	1000	116.9	19500
NTS250-74-1100		150	1100	1100	128.6	19000
NTS250-74-1200		200	1200	1200	140.3	18500
NTS250-74-1300		250	1300	1300	152.0	18000
NTS250-74-1400		300	1400	1400	163.7	17500
NTS250-74-1500		350	1500	1500	175.4	16900
NTS250-74-1600		400	1600	1600	187.0	16100
NTS250-74-1700		450	1700	1700	198.7	15300
NTS250-74-1800		500	1800	1800	210.4	14500
NTS250-74-1900		550	1900	1900	222.1	13500
NTS250-74-2000		600	2000	2000	233.8	12500

Ordercode and further options see last page. Your desired length is not listed in the table? No problem! Only the most common lengths are shown here. Please contact our application technology division.

HEAVY DUTY EXTENSION

NTS250-104



Load Table

Order Number	Hole separation (mm)		Installation length (mm)	Extension length (mm)	Net weight (kg)	Maximum load/pair (N)
	B	C	E	A		
NTS250-104-700	100		700	700	121.8	27000
NTS250-104-750	150		750	750	130.5	28000
NTS250-104-800	200		800	800	139.2	28500
NTS250-104-850	250		850	850	147.9	29000
NTS250-104-900	300		900	900	156.6	29500
NTS250-104-950	350		950	950	165.3	30000
NTS250-104-1000	400		1000	1000	174.0	30000
NTS250-104-1100		150	1100	1100	191.4	29500
NTS250-104-1200		200	1200	1200	208.8	29000
NTS250-104-1300		250	1300	1300	226.2	28500
NTS250-104-1400		300	1400	1400	243.6	28000
NTS250-104-1500		350	1500	1500	261.0	27000
NTS250-104-1600		400	1600	1600	278.4	26000
NTS250-104-1700		450	1700	1700	295.8	25000
NTS250-104-1800		500	1800	1800	313.2	24000
NTS250-104-1900		550	1900	1900	330.6	23000
NTS250-104-2000		600	2000	2000	348.0	22000

Ordercode and further options see last page. Your desired length is not listed in the table? No problem! Only the most common lengths are shown here. Please contact our application technology division.