

LINEAR GUIDES

6

PAGE 94

6.1 PRODUCT OVERVIEW

PAGE 96

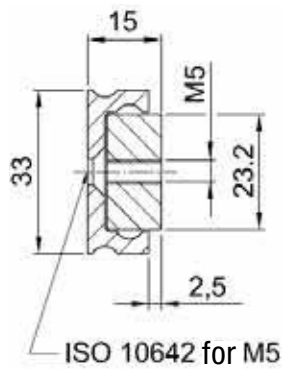
6.2 LINEAR GUIDES

- NTSF33
- NTSF40
- NTSF50
- NTSF60
- NTSF80
- NTSF100
- NTSF120

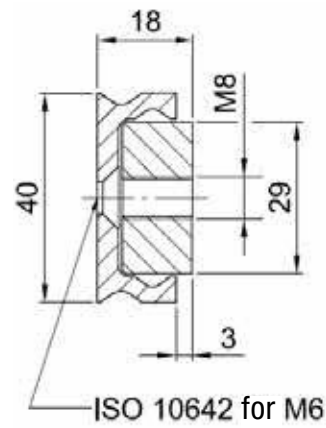
PRODUCT OVERVIEW

LINEAR GUIDES

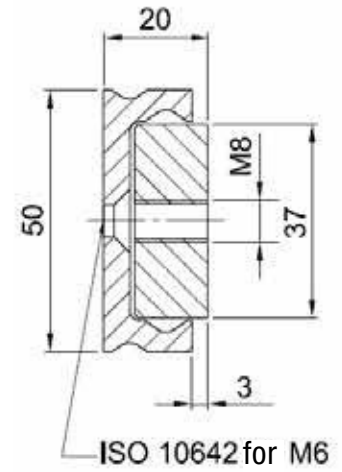
NTSF33



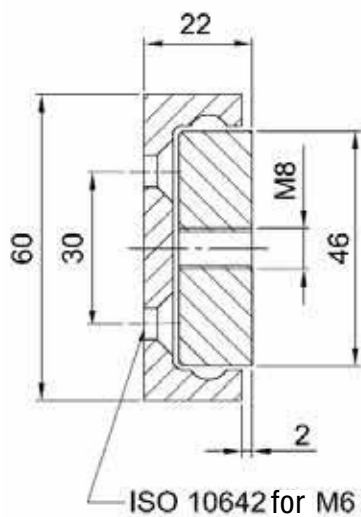
NTSF40



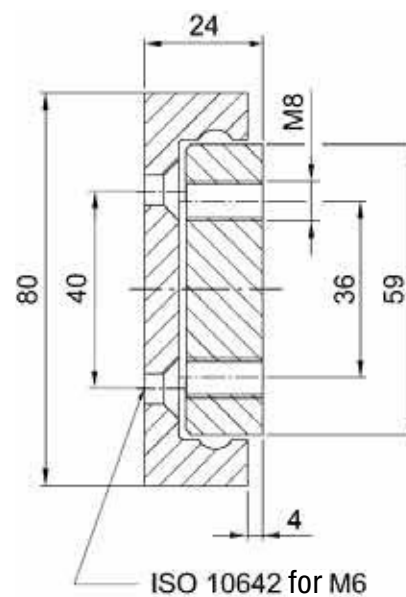
NTSF50



NTSF60

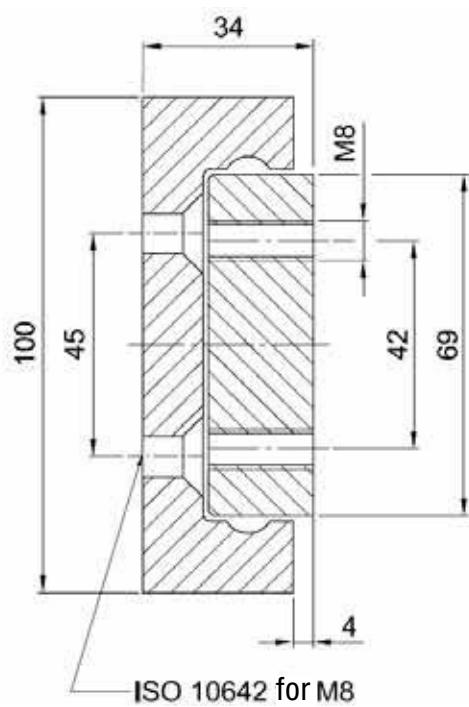


NTSF80

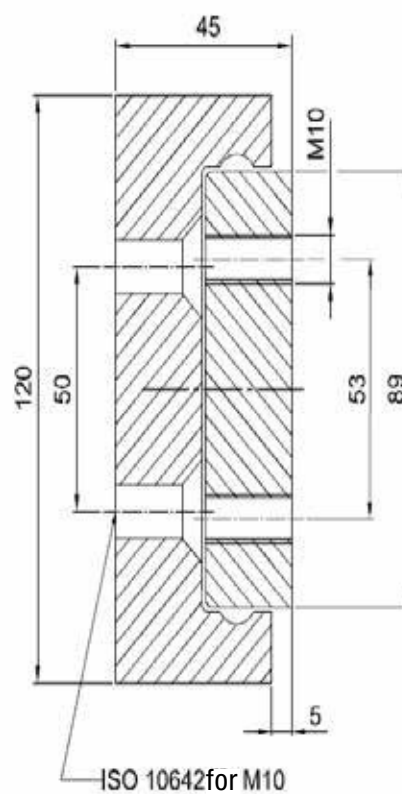


LINEAR GUIDES

NTSF100

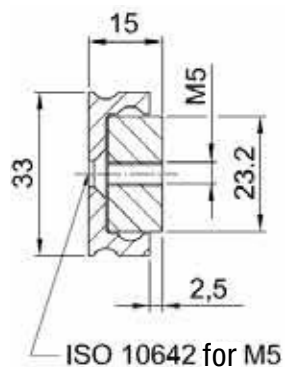


NTSF120



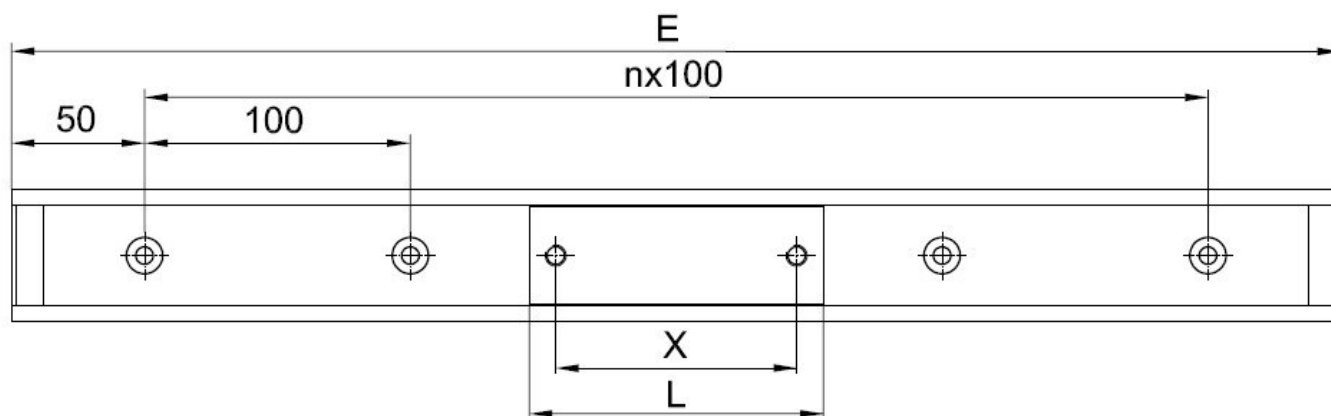
LINEAR GUIDES

NTSF33



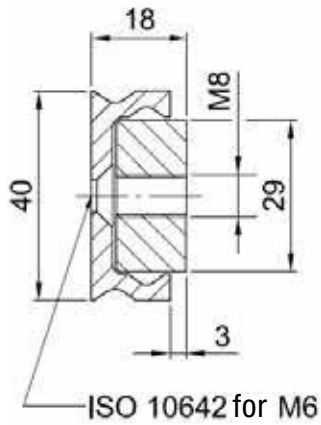
Steel thick-layer passivated

	NTSF33-60	NTSF33-80	NTSF33-100
L (mm)	60	80	100
X (mm)	44	64	84
Stroke	E-80	E-100	E-120
Load / carrier on major axis (N)	1100	1400	1600
Load / carrier on minor axis (N)	550	700	800
Mounting holes slide	2 x M5	2 x M5	2 x M5
Mounting hole guide rail	ISO 10642 for M5		



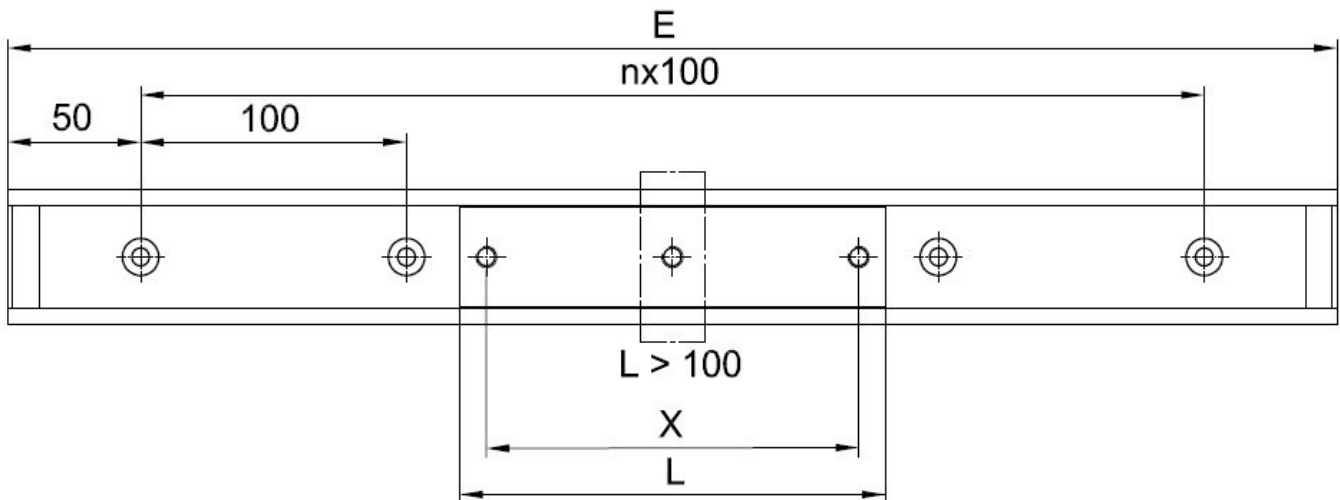
Ordercode and further options see last page. Your desired length is not listed in the table? No problem! Only the most common lengths are shown here. Please contact our application technology division.

NTSF40



Steel thick-layer passivated

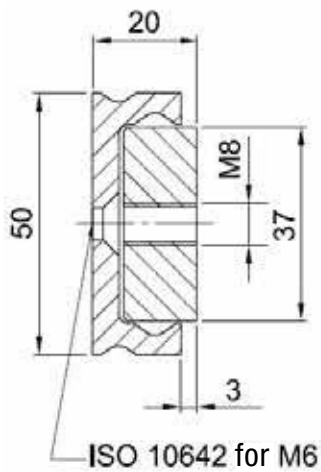
	NTSF40-80	NTSF40-100	NTSF40-120
L (mm)	80	100	120
X (mm)	60	80	100
Stroke	E-104	E-124	E-144
Load / carrier on major axis (N)	1900	2200	2400
Load / carrier on minor axis (N)	950	1100	1200
Mounting holes slide	2 x M8	2 x M8	3 x M8
Mounting hole guide rail	ISO 10642 for M6		



Ordercode and further options see last page. Your desired length is not listed in the table? No problem! Only the most common lengths are shown here. Please contact our application technology division.

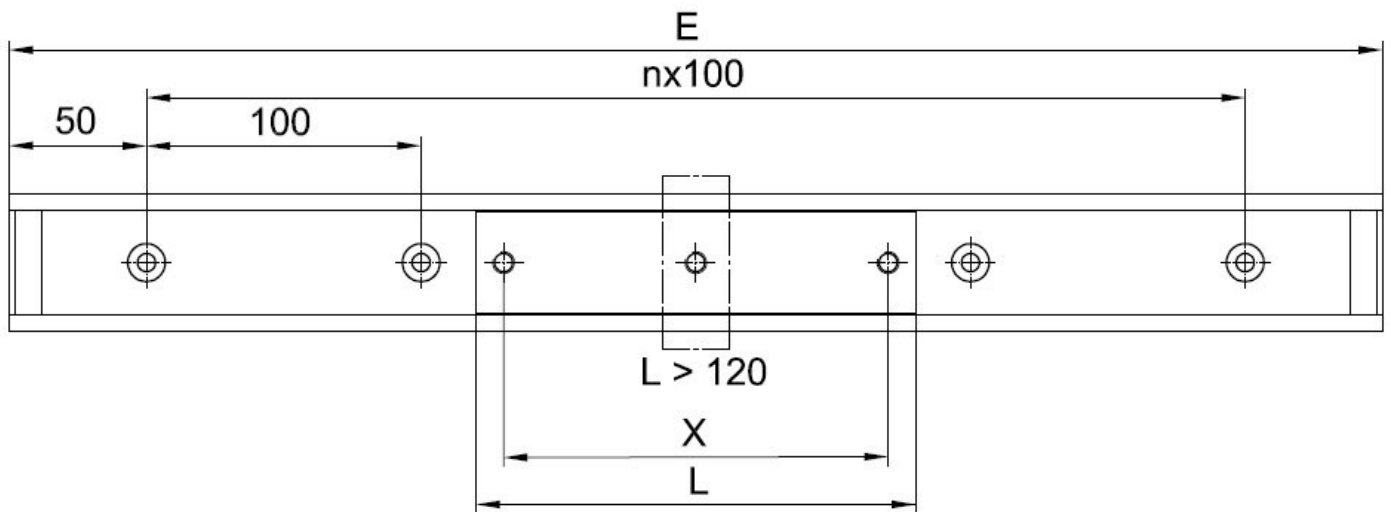
LINEAR GUIDES

NTSF50



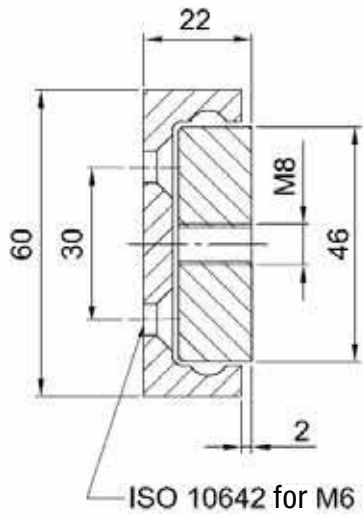
Steel thick-layer passivated

	NTSF50-100	NTSF50-120	NTSF50-160	NTSF50-200
L (mm)	100	120	160	200
X (mm)	80	100	140	180
Stroke	E-124	E-144	E-184	E-224
Load / carrier on major axis (N)	2500	2700	2900	3200
Load / carrier on minor axis (N)	1250	1350	1450	1600
Mounting holes slide	2 x M8	2 x M8	3 x M8	3 x M8
Mounting hole guide rail	ISO 10642 for M6			



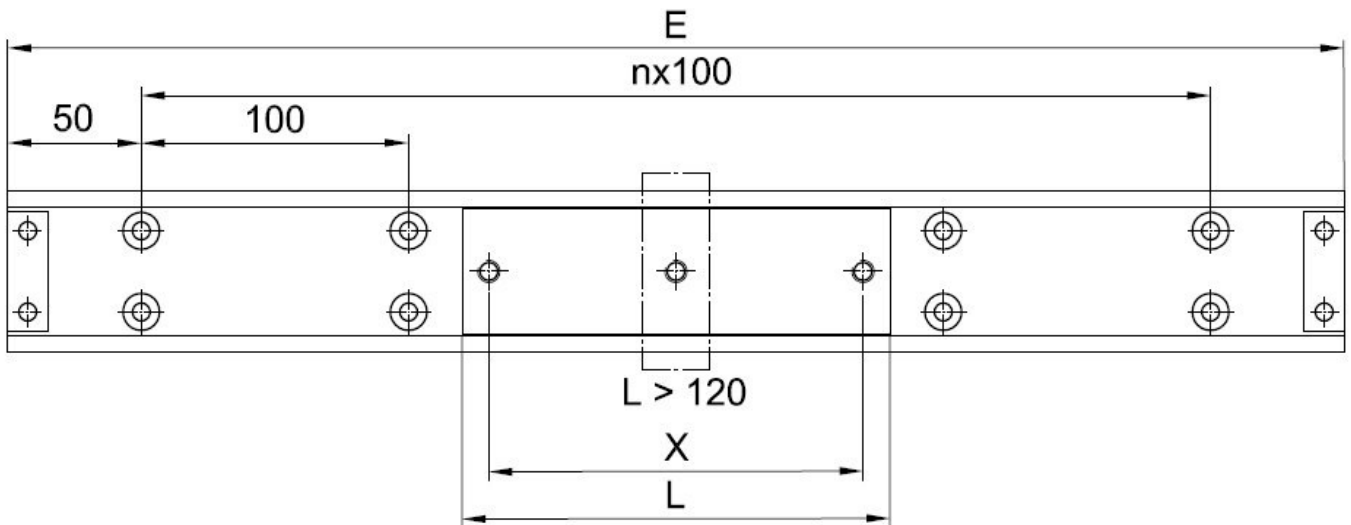
Ordercode and further options see last page. Your desired length is not listed in the table? No problem! Only the most common lengths are shown here. Please contact our application technology division.

NTSF60



Steel thick-layer passivated

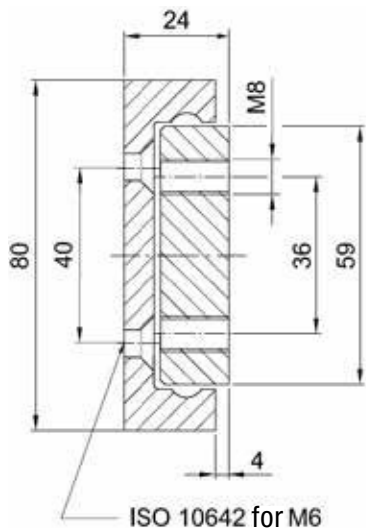
	NTSF60-100	NTSF60-120	NTSF60-160	NTSF60-200
L (mm)	100	120	160	200
X (mm)	80	100	140	180
Stroke	E-130	E-150	E-190	E-230
Load / carrier on major axis (N)	3000	3200	3400	3600
Load / carrier on minor axis (N)	1500	1600	1700	1800
Mounting holes slide	2 x M8	2 x M8	3 x M8	3 x M8
Mounting hole guide rail	ISO 10642 for M6			



Ordercode and further options see last page. Your desired length is not listed in the table? No problem! Only the most common lengths are shown here. Please contact our application technology division.

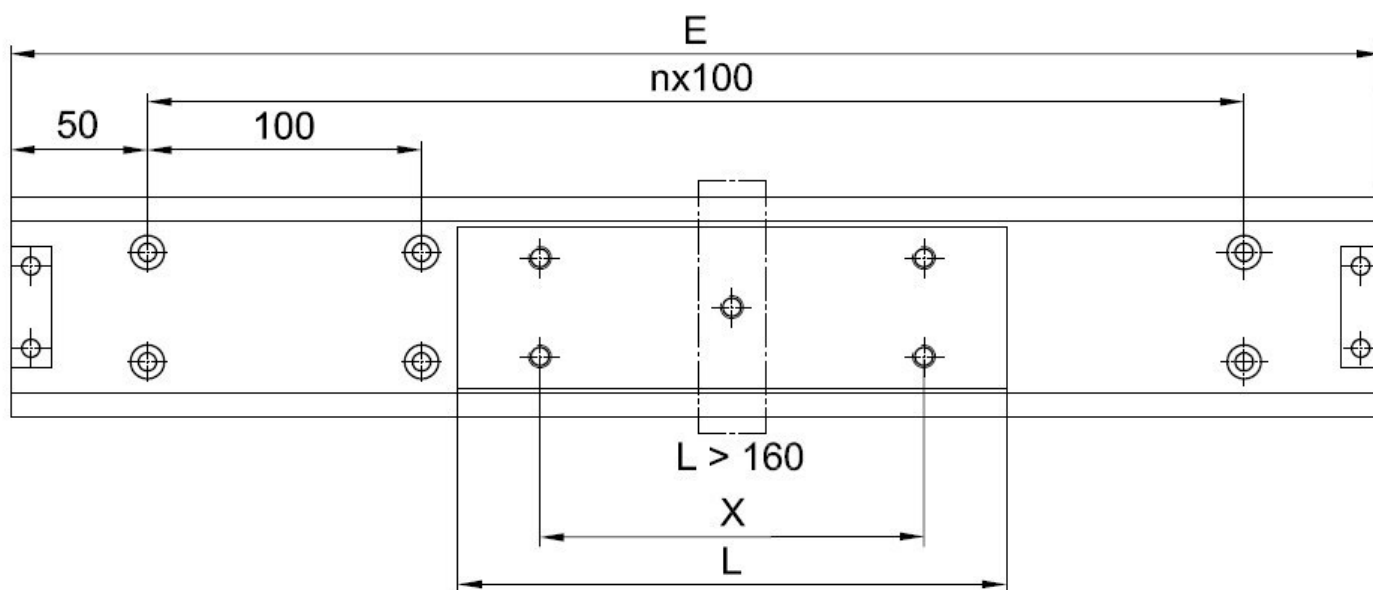
LINEAR GUIDES

NTSF80



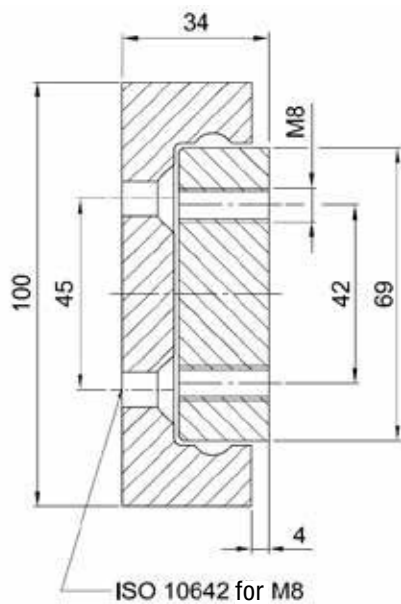
Steel thick-layer passivated

	NTSF80-160	NTSF80-200	NTSF80-300
L (mm)	160	200	300
X (mm)	100	140	240
Stroke	E-190	E-230	E-330
Load / carrier on major axis (N)	5000	5300	6200
Load / carrier on minor axis (N)	2500	2650	3100
Mounting holes slide	4 x M8	5 x M8	5 x M8
Mounting hole guide rail	ISO 10642 for M6		



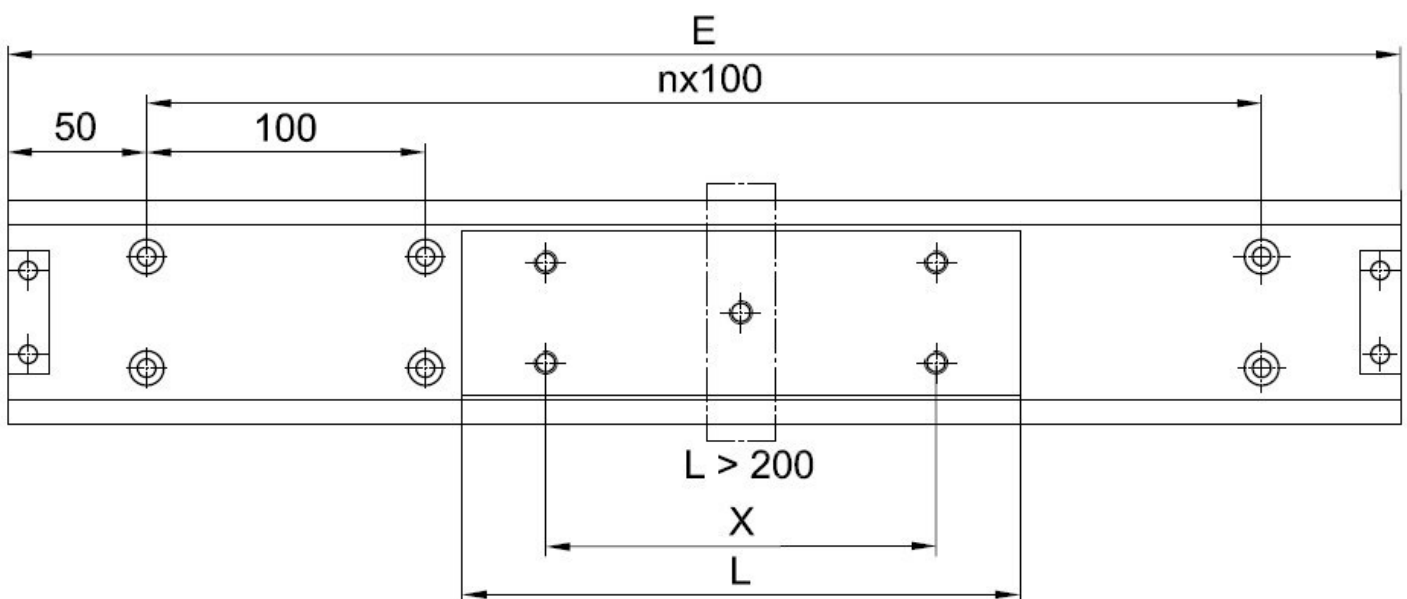
Ordercode and further options see last page. Your desired length is not listed in the table? No problem! Only the most common lengths are shown here. Please contact our application technology division.

NTSF100



Steel thick-layer passivated

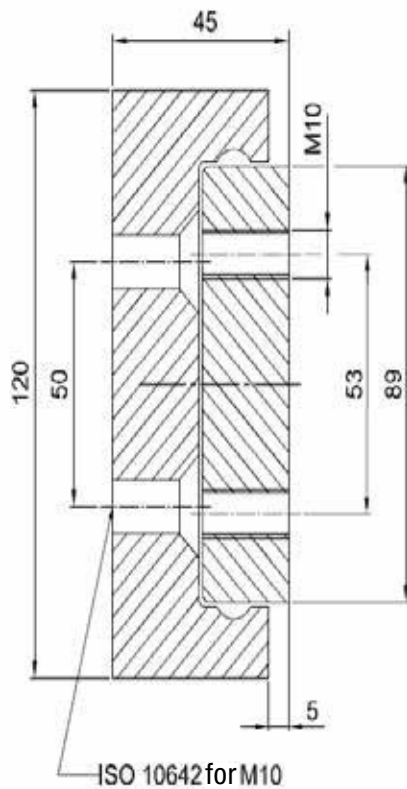
	NTSF100-160	NTSF100-200	NTSF100-300
L (mm)	160	200	300
X (mm)	90	130	230
Stroke	E-200	E-240	E-340
Load / carrier on major axis (N)	6600	7300	8300
Load / carrier on minor axis (N)	3300	3650	4150
Mounting holes slide	4 x M8	4 x M8	5 x M8
Mounting hole guide rail	ISO 10642 for M8		



Ordercode and further options see last page. Your desired length is not listed in the table? No problem! Only the most common lengths are shown here. Please contact our application technology division.

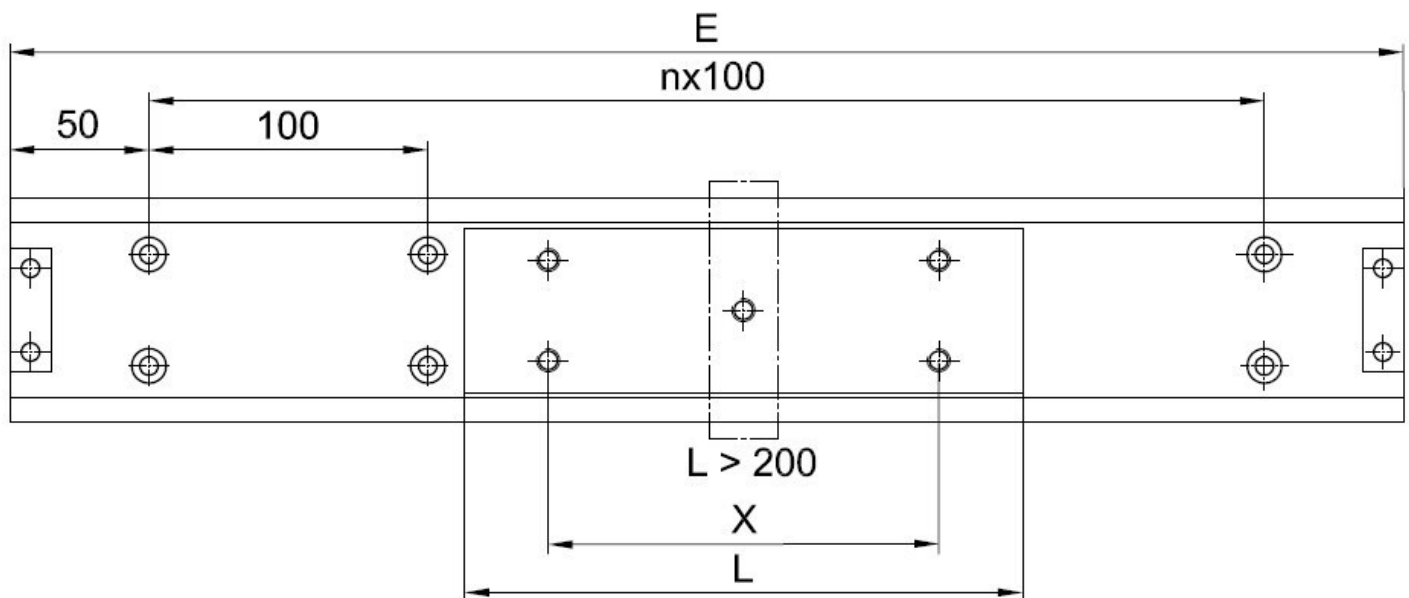
LINEAR GUIDES

NTSF120



Steel thick-layer passivated

	NTSF120-160	NTSF120-200	NTSF120-300
L (mm)	160	200	300
X (mm)	80	120	220
Stroke	E-200	E-240	E-340
Load / carrier on major axis (N)	8400	9200	10300
Load / carrier on minor axis (N)	4200	4600	5150
Mounting holes slide	4 x M10	4 x M10	5 x M10
Mounting hole guide rail	ISO 10642 for M10		



Ordercode and further options see last page. Your desired length is not listed in the table? No problem! Only the most common lengths are shown here. Please contact our application technology division.