

OVER EXTENSIONS



PAGE 76

5.1 PRODUCT OVERVIEW

PAGE 78

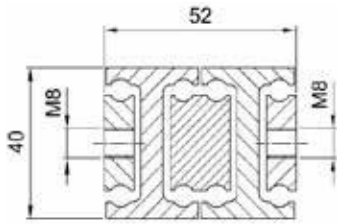
5.2 OVER EXTENSIONS

- NTSU40-52DS
- NTU48-35DC
- NTSU50-60DS
- NTU59-41.5DC
- NTSU60-40
- NTSU60-68DS
- NTU72-30T
- NTU72-47.5DC
- NTSU80-43
- NTSU80-79DS
- NTSU100-51
- NTSU100-98DS
- NTSU150-64

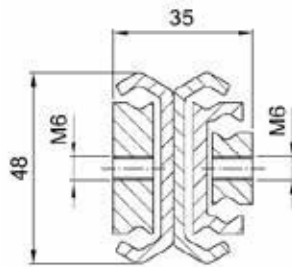
PRODUCT OVERVIEW

OVER EXTENSIONS

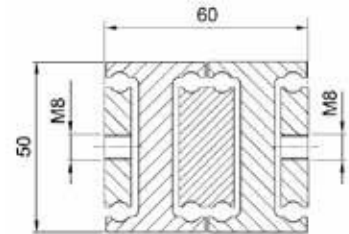
NTSU40-52DS



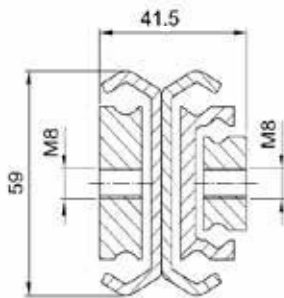
NTU48-35DC



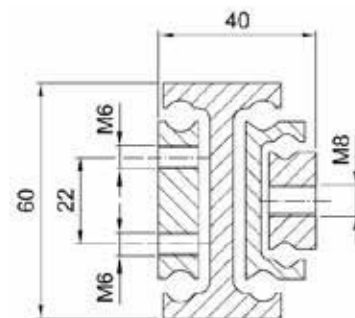
NTSU50-60DS



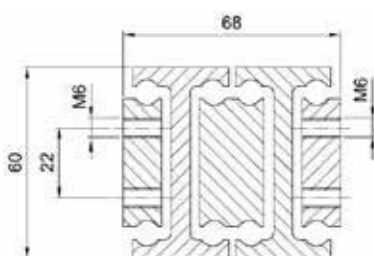
NTU59-41.5DC



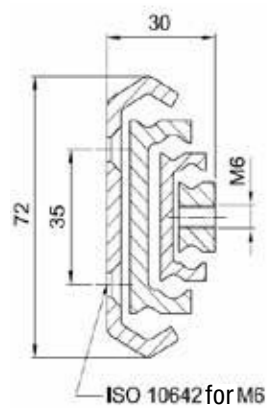
NTSU60-40



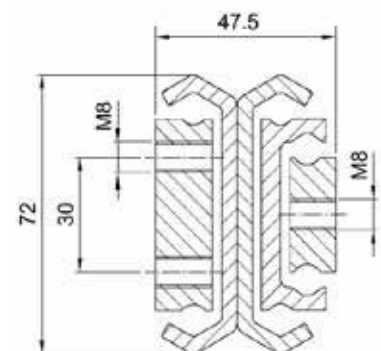
NTSU60-68DS



NTU72-30T

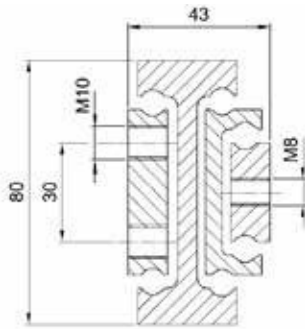


NTU72-47.5DC

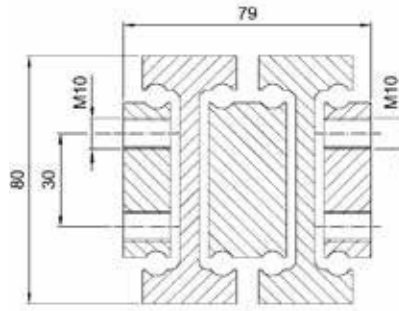


5.1

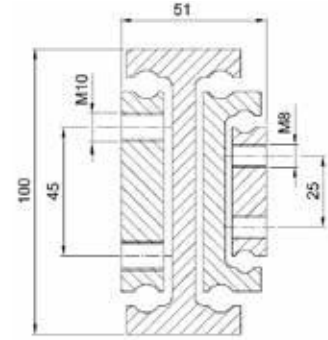
NTSU80-43



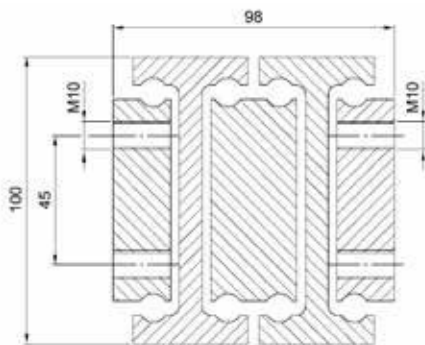
NTSU80-79DS



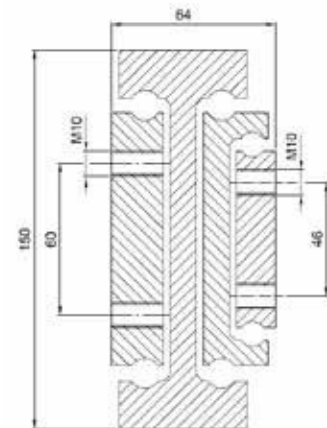
NTSU100-51



NTSU100-98DS

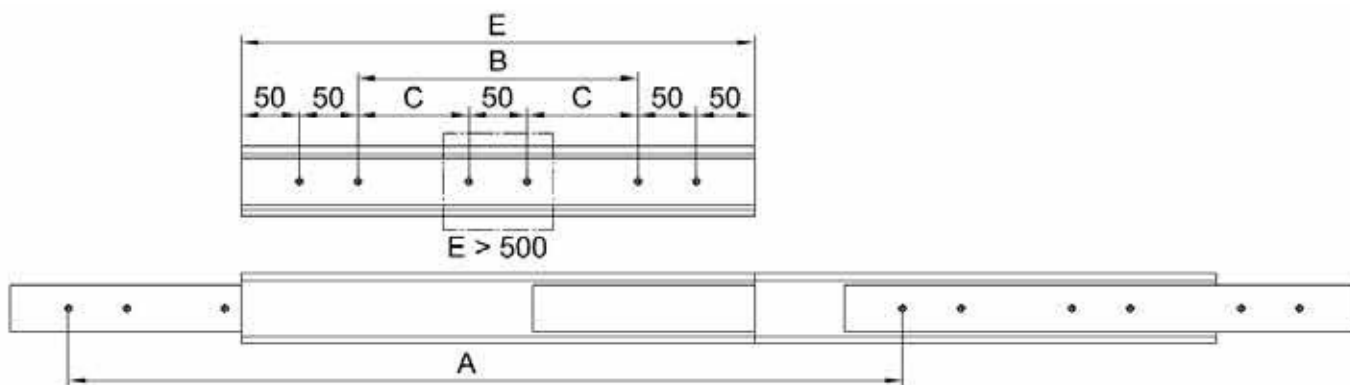
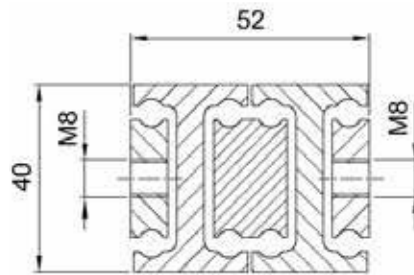


NTSU150-64



OVER EXTENSION

NTSU40-52DS

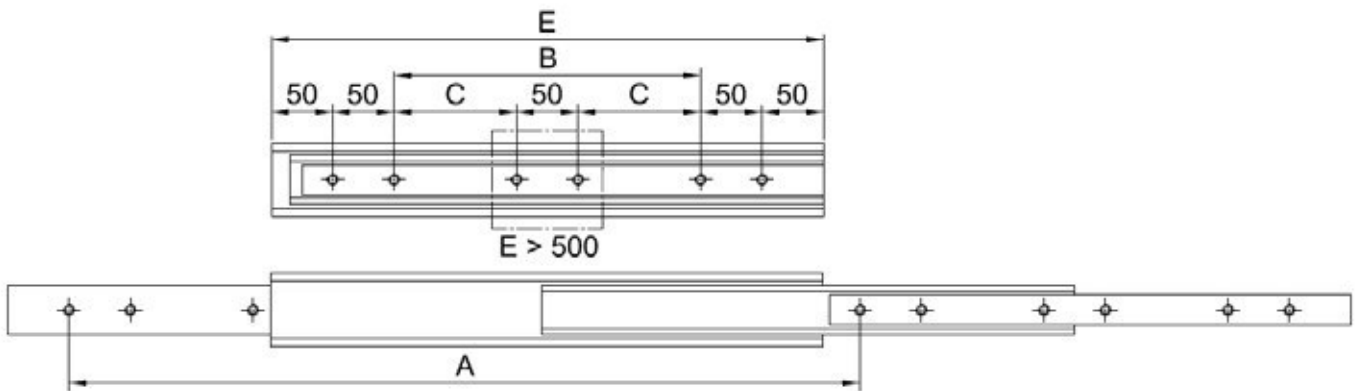
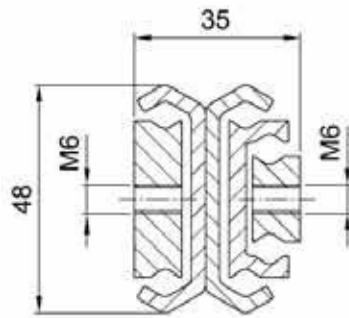


Load Table

Order Number	Hole separation (mm)		Installation length (mm)	Extension length (mm)	Net weight (kg)	Maximum load/pair (N)
	B	C	E	A		
NTSU40-52DS-250	50		250	500	2.0	600
NTSU40-52DS-300	100		300	600	2.5	650
NTSU40-52DS-350	150		350	700	2.9	710
NTSU40-52DS-400	200		400	800	3.3	750
NTSU40-52DS-450	250		450	900	3.7	750
NTSU40-52DS-500	300		500	1000	4.1	750
NTSU40-52DS-550		150	550	1100	4.5	750
NTSU40-52DS-600		175	600	1200	4.9	710
NTSU40-52DS-650		200	650	1300	5.3	710
NTSU40-52DS-700		225	700	1400	5.7	650
NTSU40-52DS-750		250	750	1500	6.1	600
NTSU40-52DS-800		275	800	1600	6.5	550
NTSU40-52DS-850		300	850	1700	7.0	500
NTSU40-52DS-900		325	900	1800	7.4	450
NTSU40-52DS-950		350	950	1900	7.8	380
NTSU40-52DS-1000		375	1000	2000	8.2	350
NTSU40-52DS-1100		425	1100	2200	9.0	320
NTSU40-52DS-1200		475	1200	2400	9.8	300

Ordercode and further options see last page. Your desired length is not listed in the table? No problem! Only the most common lengths are shown here. Please contact our application technology division.

NTU48-35DC



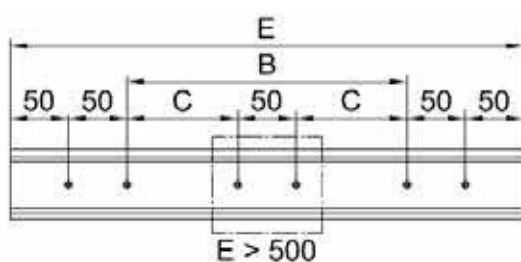
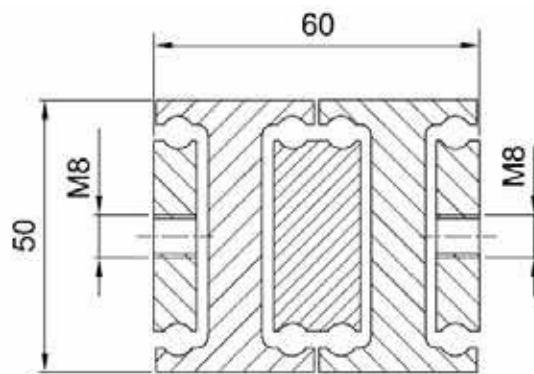
Load Table

Order Number	Hole separation (mm)		Installation length (mm)	Extension length (mm)	Net weight (kg)	Maximum load/pair (N)
	B	C	E	A		
NTU48-35DC-250	50		250	375	2.0	600
NTU48-35DC-300	100		300	450	2.5	650
NTU48-35DC-350	150		350	525	2.9	710
NTU48-35DC-400	200		400	600	3.3	750
NTU48-35DC-450	250		450	675	3.7	750
NTU48-35DC-500	300		500	750	4.1	750
NTU48-35DC-550		150	550	825	4.5	750
NTU48-35DC-600		175	600	900	4.9	710
NTU48-35DC-650		200	650	975	5.3	710
NTU48-35DC-700		225	700	1050	5.7	650
NTU48-35DC-750		250	750	1125	6.1	600
NTU48-35DC-800		275	800	1200	6.5	550
NTU48-35DC-850		300	850	1275	7.0	500
NTU48-35DC-900		325	900	1350	7.4	450
NTU48-35DC-950		350	950	1425	7.8	380
NTU48-35DC-1000		375	1000	1500	8.2	350
NTU48-35DC-1100		425	1100	1675	9.0	320
NTU48-35DC-1200		475	1200	1750	9.8	300

Ordercode and further options see last page. Your desired length is not listed in the table? No problem! Only the most common lengths are shown here. Please contact our application technology division.

OVER EXTENSION

NTSU50-60DS

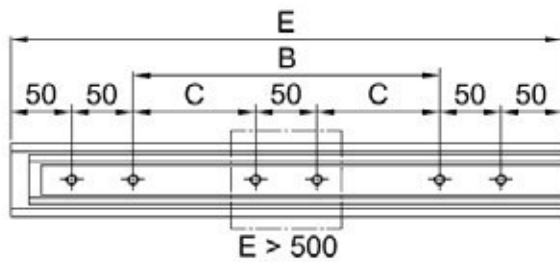
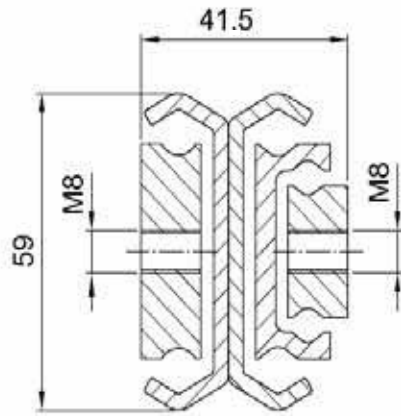


Load Table

Order Number	Hole separation (mm)		Installation length (mm)	Extension length (mm)	Net weight (kg)	Maximum load/pair (N)
	B	C	E	A		
NTSU50-60DS-300	100		300	600	3,3	1800
NTSU50-60DS-350	150		350	700	3,8	1900
NTSU50-60DS-400	200		400	800	4,4	1950
NTSU50-60DS-450	250		450	900	4,9	2000
NTSU50-60DS-500	300		500	1000	5,5	2000
NTSU50-60DS-550		150	550	1100	6,0	1950
NTSU50-60DS-600		175	600	1200	6,6	1900
NTSU50-60DS-650		200	650	1300	7,1	1850
NTSU50-60DS-700		225	700	1400	7,7	1800
NTSU50-60DS-750		250	750	1500	8,2	1750
NTSU50-60DS-800		275	800	1600	8,8	1700
NTSU50-60DS-850		300	850	1700	9,3	1630
NTSU50-60DS-900		325	900	1800	9,9	1560
NTSU50-60DS-950		350	950	1900	10,4	1490
NTSU50-60DS-1000		375	1000	2000	11,0	1420
NTSU50-60DS-1100		425	1100	2200	12,1	1290
NTSU50-60DS-1200		475	1200	2400	13,2	1160
NTSU50-60DS-1300		525	1300	2600	14,3	1020
NTSU50-60DS-1400		575	1400	2800	15,4	860
NTSU50-60DS-1500		625	1500	3000	16,5	700

Ordercode and further options see last page. Your desired length is not listed in the table? No problem! Only the most common lengths are shown here. Please contact our application technology division.

NTU59-41.5DC



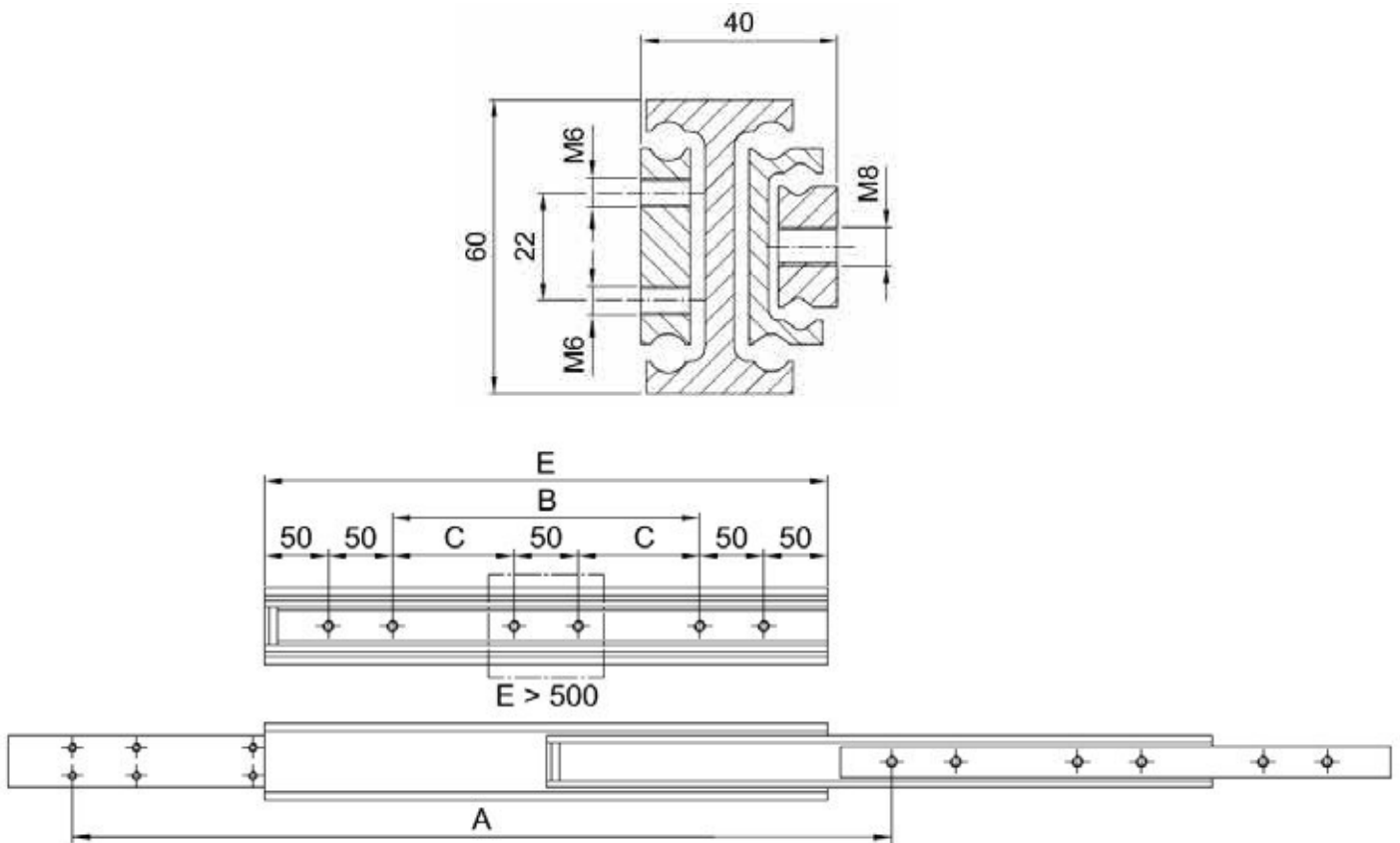
Load Table

Order Number	Hole separation (mm)		Installation length (mm)	Extension length (mm)	Net weight (kg)	Maximum load/pair (N)
	B	C	E	A		
NTU59-41.5DC-300	100		300	450	3.3	1800
NTU59-41.5DC-350	150		350	525	3.8	1900
NTU59-41.5DC-400	200		400	600	4.4	1950
NTU59-41.5DC-450	250		450	675	4.9	2000
NTU59-41.5DC-500	300		500	750	5.5	2000
NTU59-41.5DC-550		150	550	825	6.0	1950
NTU59-41.5DC-600		175	600	900	6.6	1900
NTU59-41.5DC-650		200	650	975	7.1	1850
NTU59-41.5DC-700		225	700	1050	7.7	1800
NTU59-41.5DC-750		250	750	1125	8.2	1750
NTU59-41.5DC-800		275	800	1200	8.8	1700
NTU59-41.5DC-850		300	850	1275	9.3	1630
NTU59-41.5DC-900		325	900	1350	9.9	1560
NTU59-41.5DC-950		350	950	1425	10.4	1490
NTU59-41.5DC-1000		375	1000	1500	11.0	1420
NTU59-41.5DC-1100		425	1100	1650	12.1	1290
NTU59-41.5DC-1200		475	1200	1800	13.2	1160
NTU59-41.5DC-1300		525	1300	1950	14.3	1020
NTU59-41.5DC-1400		575	1400	2100	15.4	860

Ordercode and further options see last page. Your desired length is not listed in the table? No problem! Only the most common lengths are shown here. Please contact our application technology division.

OVER EXTENSION

NTSU60-40

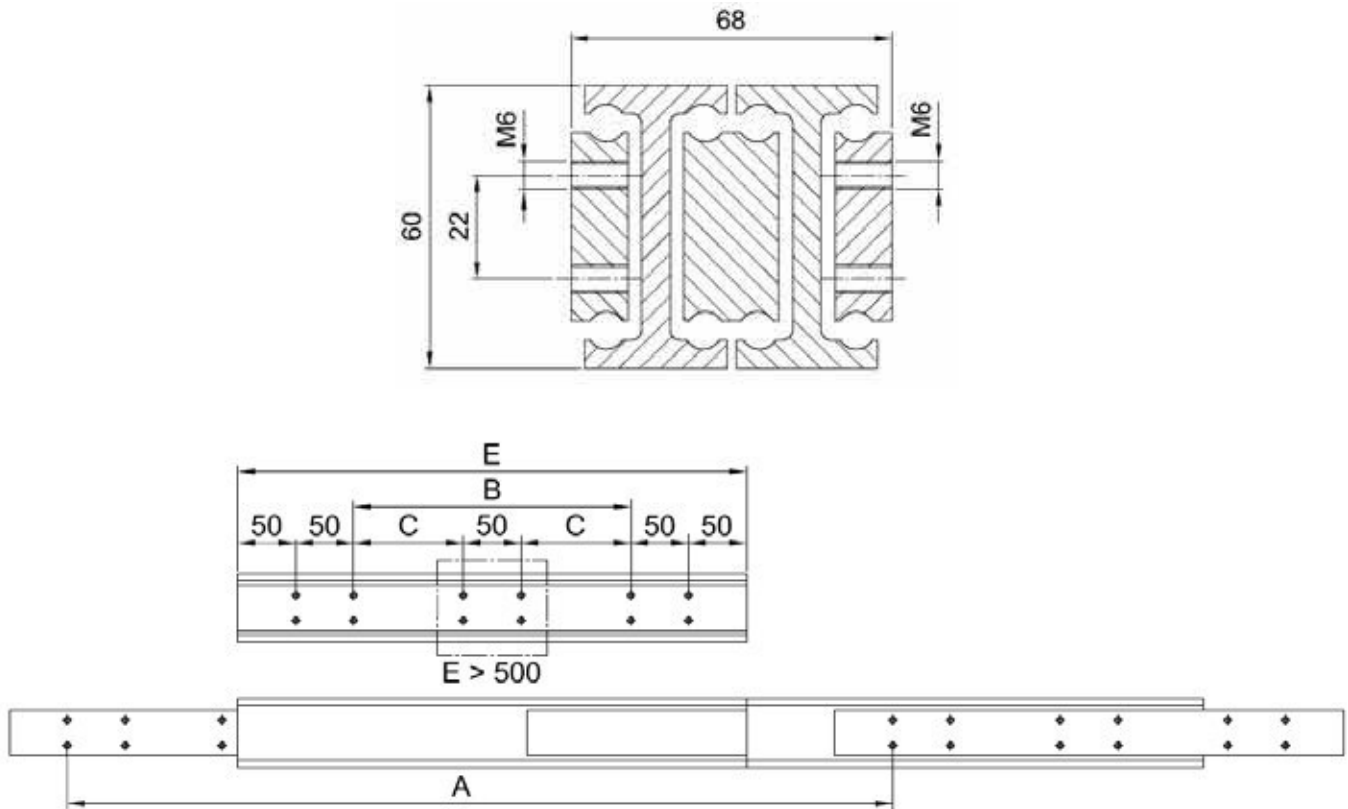


Load Table

Order Number	Hole separation (mm)		Installation length (mm)	Extension length (mm)	Net weight (kg)	Maximum load/pair (N)
	B	C	E	A		
NTSU60-40-300	100		300	450	4.1	2500
NTSU60-40-350	150		350	525	4.7	2600
NTSU60-40-400	200		400	600	5.3	2650
NTSU60-40-450	250		450	675	6.0	2700
NTSU60-40-500	300		500	750	6.6	2700
NTSU60-40-550		150	550	825	7.3	1650
NTSU60-40-600		175	600	900	7.9	2600
NTSU60-40-650		200	650	975	8.6	2550
NTSU60-40-700		225	700	1050	9.2	2500
NTSU60-40-750		250	750	1125	9.9	2450
NTSU60-40-800		275	800	1200	10.5	2400
NTSU60-40-850		300	850	1275	11.1	2350
NTSU60-40-900		325	900	1350	11.8	2300
NTSU60-40-950		350	950	1425	12.4	2250
NTSU60-40-1000		375	1000	1500	13.1	2200
NTSU60-40-1100		425	1100	1650	14.3	2100
NTSU60-40-1200		475	1200	1800	15.6	1950
NTSU60-40-1300		525	1300	1950	16.9	1800
NTSU60-40-1400		575	1400	2100	18.2	1650
NTSU60-40-1500		625	1500	2250	19.5	1500

Ordercode and further options see last page. Your desired length is not listed in the table? No problem! Only the most common lengths are shown here. Please contact our application technology division.

NTSU60-68DS

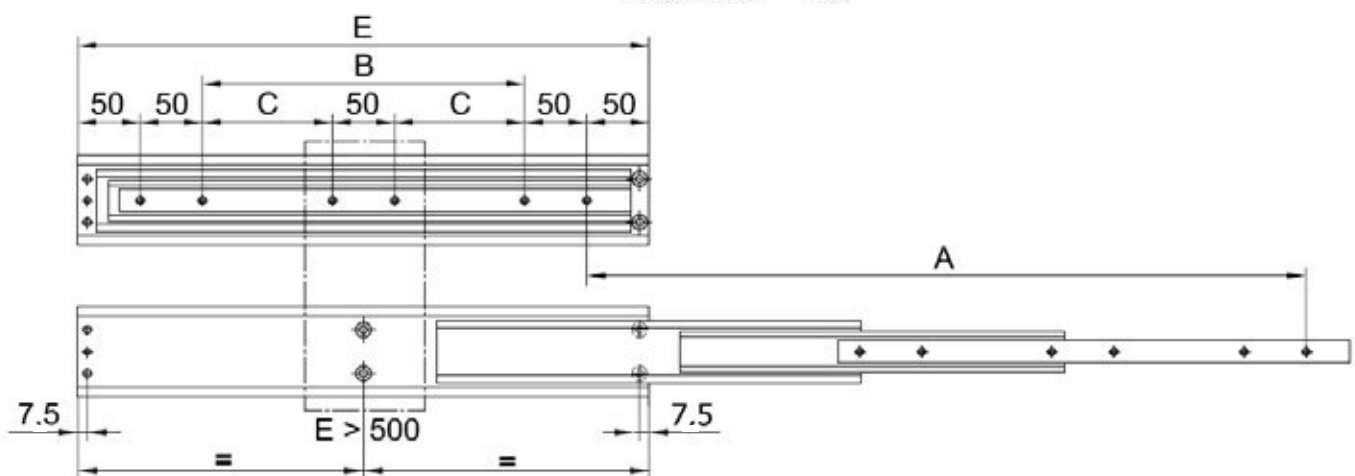
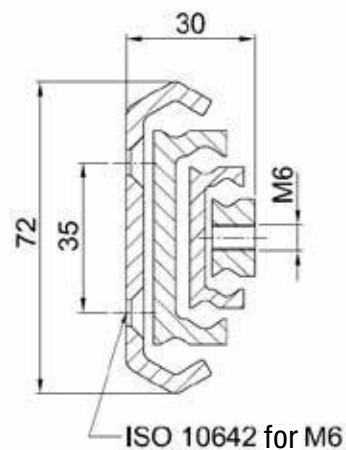


Order Number	Load Table					
	Hole separation (mm)		Installation length (mm)	Extension length (mm)	Net weight (kg)	Maximum load/pair (N)
	B	C	E	A		
NTSU60-68DS-500	300		500	1000	11.5	7120
NTSU60-68DS-550		150	550	1100	12.6	7250
NTSU60-68DS-600		175	600	1200	13.8	7120
NTSU60-68DS-650		200	650	1300	14.9	7050
NTSU60-68DS-700		225	700	1400	16.0	7050
NTSU60-68DS-750		250	750	1500	17.1	6730
NTSU60-68DS-800		275	800	1600	18.2	6470
NTSU60-68DS-850		300	850	1700	19.4	6210
NTSU60-68DS-900		325	900	1800	20.5	5950
NTSU60-68DS-950		350	950	1900	21.7	5690
NTSU60-68DS-1000		375	1000	2000	22.8	5360
NTSU60-68DS-1100		425	1100	2200	25.0	4910
NTSU60-68DS-1200		475	1200	2400	27.3	4390
NTSU60-68DS-1300		525	1300	2600	29.6	3870
NTSU60-68DS-1400		576	1400	2800	31.8	3550
NTSU60-68DS-1500		625	1500	3000	34.1	2830

Ordercode and further options see last page. Your desired length is not listed in the table? No problem! Only the most common lengths are shown here. Please contact our application technology division.

OVER EXTENSION

NTU72-30T

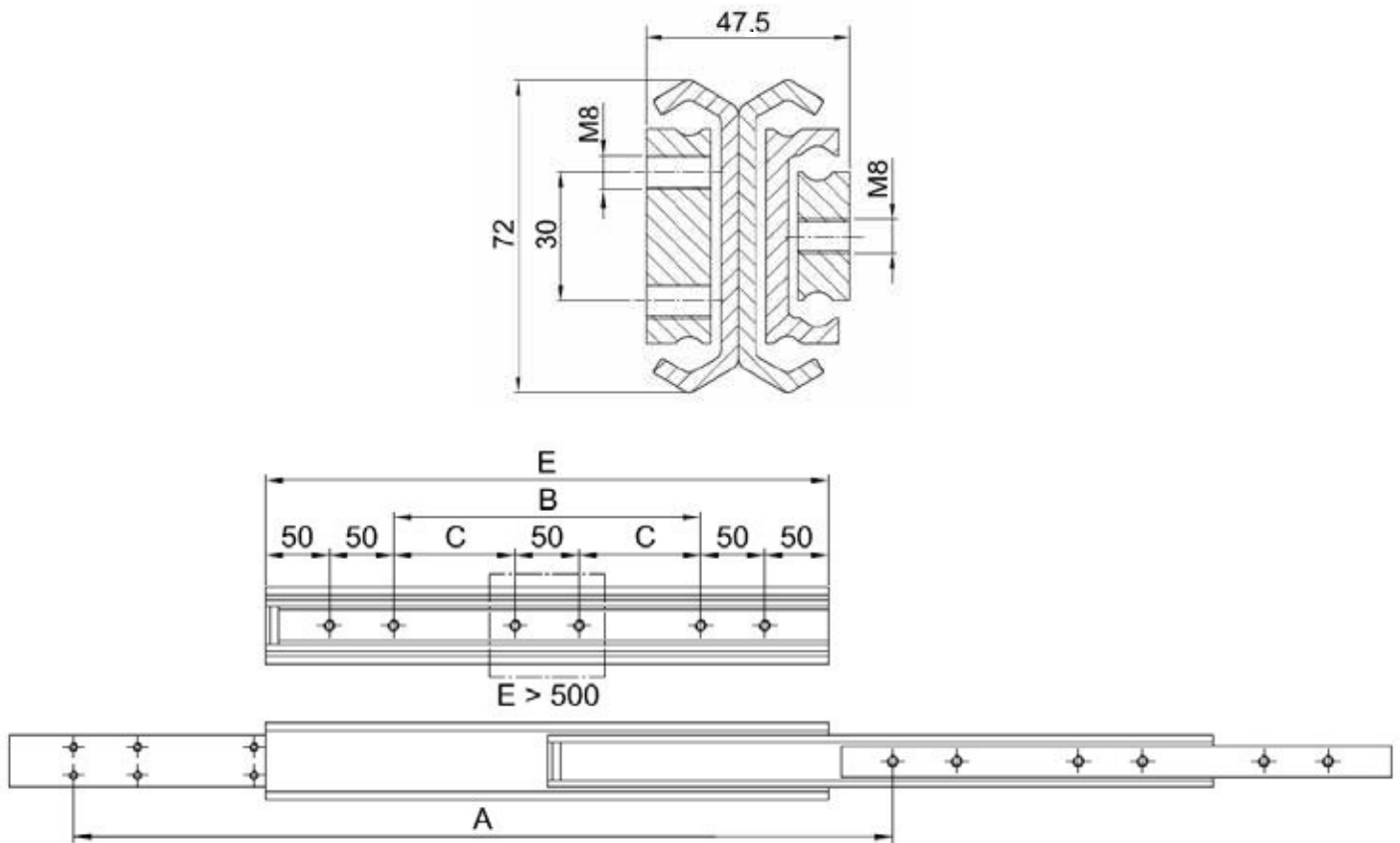


Load Table

Order Number	Hole separation (mm)		Installation length (mm)	Extension length (mm)	Net weight (kg)	Maximum load/pair (N)
	B	C	E	A		
NTU72-30T-300	100		300	450	2.6	1380
NTU72-30T-350	150		350	525	3.0	1440
NTU72-30T-400	200		400	600	3.4	1500
NTU72-30T-450	250		450	675	3.9	1550
NTU72-30T-500	300		500	750	4.3	1500
NTU72-30T-550		150	550	825	4.7	1380
NTU72-30T-600		175	600	900	5.2	1320
NTU72-30T-650		200	650	975	5.6	1260
NTU72-30T-700		225	700	1050	6.0	1210
NTU72-30T-750		250	750	1125	6.4	1150
NTU72-30T-800		275	800	1200	6.9	1090
NTU72-30T-850		300	850	1275	7.3	1030
NTU72-30T-900		325	900	1350	7.7	980
NTU72-30T-950		350	950	1425	8.2	920
NTU72-30T-1000		375	1000	1500	8.6	860
NTU72-30T-1100		425	1100	1650	9.5	750
NTU72-30T-1200		475	1200	1800	10.3	630
NTU72-30T-1300		525	1300	1950	11.2	520
NTU72-30T-1400		575	1400	2100	12.0	400
NTU72-30T-1500		625	1500	2250	12.9	300

Ordercode and further options see last page. Your desired length is not listed in the table? No problem! Only the most common lengths are shown here. Please contact our application technology division.

NTU72-47.5DC



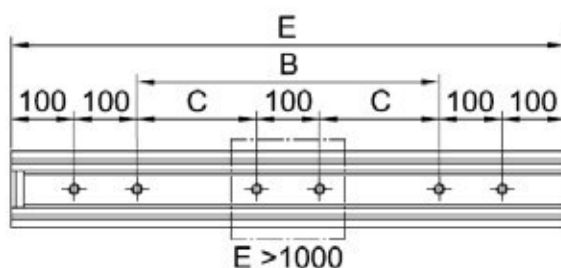
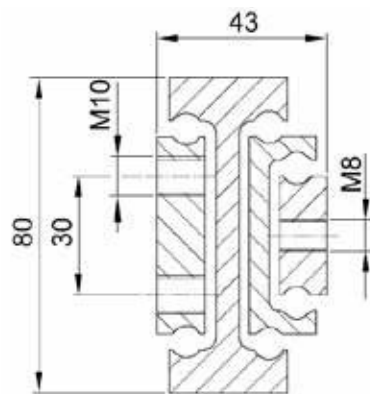
Load Table

Order Number	Hole separation (mm)		Installation length (mm)	Extension length (mm)	Net weight (kg)	Maximum load/pair (N)
	B	C	E	A		
NTU72-47.5DC-300	100		300	450	5.1	2500
NTU72-47.5DC-350	150		350	525	5.9	2600
NTU72-47.5DC-400	200		400	600	6.8	2650
NTU72-47.5DC-450	250		450	675	7.6	2700
NTU72-47.5DC-500	300		500	750	8.5	2700
NTU72-47.5DC-550		150	550	825	9.3	2650
NTU72-47.5DC-600		175	600	900	10.2	2600
NTU72-47.5DC-650		200	650	975	11.0	2550
NTU72-47.5DC-700		225	700	1050	11.9	2500
NTU72-47.5DC-750		250	750	1125	12.7	2450
NTU72-47.5DC-800		275	800	1200	13.6	2400
NTU72-47.5DC-850		300	850	1275	14.4	2350
NTU72-47.5DC-900		325	900	1350	15.3	2300
NTU72-47.5DC-950		350	950	1425	16.1	2250
NTU72-47.5DC-1000		375	1000	1500	17.0	2200
NTU72-47.5DC-1100		425	1100	1650	18.7	2100
NTU72-47.5DC-1200		475	1200	1800	20.4	1950
NTU72-47.5DC-1300		525	1300	1950	22.1	1800
NTU72-47.5DC-1400		575	1400	2100	23.8	1650
NTU72-47.5DC-1500		625	1500	2250	25.5	1500

Ordercode and further options see last page. Your desired length is not listed in the table? No problem! Only the most common lengths are shown here. Please contact our application technology division.

OVER EXTENSION

NTSU80-43

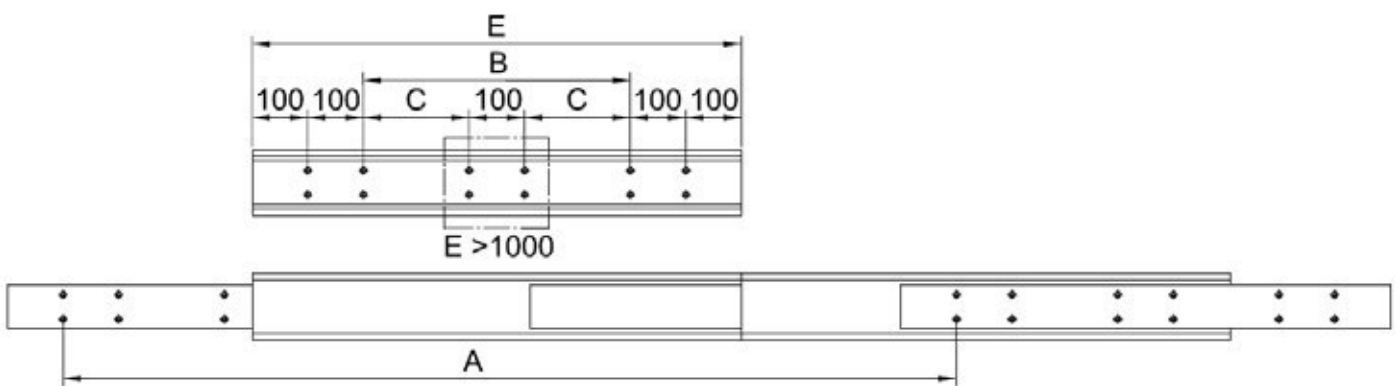
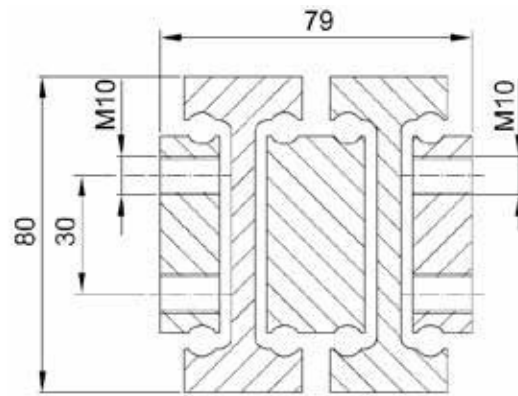


Load Table

Order Number	Hole separation (mm)		Installation length (mm)	Extension length (mm)	Net weight (kg)	Maximum load/pair (N)
	B	C	E	A		
NTSU80-43-500	100		500	750	9.5	3200
NTSU80-43-550	150		550	825	10.4	3250
NTSU80-43-600	200		600	900	11.4	3300
NTSU80-43-650	250		650	975	12.3	3250
NTSU80-43-700	300		700	1050	13.3	3200
NTSU80-43-750	350		750	1125	14.2	3100
NTSU80-43-800	400		800	1200	15.1	3000
NTSU80-43-850	450		850	1275	15.9	2900
NTSU80-43-900	500		900	1350	17.0	2800
NTSU80-43-950	550		950	1425	17.9	2700
NTSU80-43-1000	600		1000	1500	18.8	2600
NTSU80-43-1100		300	1100	1650	20.7	2380
NTSU80-43-1200		350	1200	1800	22.5	2160
NTSU80-43-1300		400	1300	1950	24.4	1940
NTSU80-43-1400		450	1400	2100	26.2	1720
NTSU80-43-1500		500	1500	2250	28.1	1500

Ordercode and further options see last page. Your desired length is not listed in the table? No problem! Only the most common lengths are shown here. Please contact our application technology division.

NTSU80-79DS



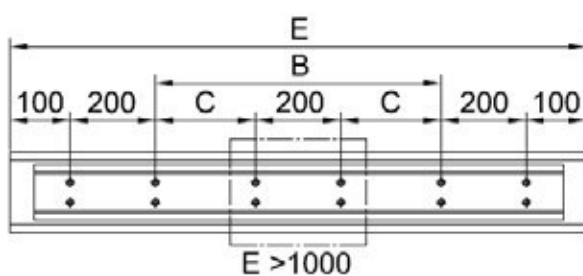
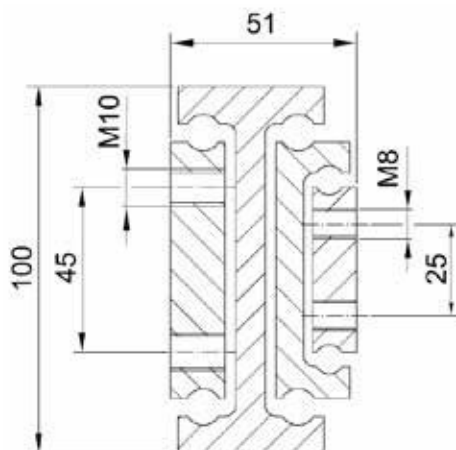
Load Table

Order Number	Hole separation (mm)		Installation length (mm)	Extension length (mm)	Net weight (kg)	Maximum load/pair (N)
	B	C	E	A		
NTSU80-79DS-500	100		500	1000	17.6	10900
NTSU80-79DS-550	150		550	1100	19.3	11200
NTSU80-79DS-600	200		600	1200	21.1	11320
NTSU80-79DS-650	250		650	1300	22.8	11140
NTSU80-79DS-700	300		700	1400	24.8	10960
NTSU80-79DS-750	350		750	1500	26.3	10660
NTSU80-79DS-800	400		800	1600	28.0	10420
NTSU80-79DS-850	450		850	1700	29.8	10120
NTSU80-79DS-900	500		900	1800	31.5	9820
NTSU80-79DS-950	550		950	1900	33.3	9520
NTSU80-79DS-1000	600		1000	2000	35.0	9280
NTSU80-79DS-1100		300	1100	2200	38.5	8680
NTSU80-79DS-1200		350	1200	2400	42.0	8140
NTSU80-79DS-1300		400	1300	2600	45.4	7540
NTSU80-79DS-1400		450	1400	2800	48.9	6940
NTSU80-79DS-1500		500	1500	3000	52.4	6340

Ordercode and further options see last page. Your desired length is not listed in the table? No problem! Only the most common lengths are shown here. Please contact our application technology division.

OVER EXTENSION

NTSU100-51

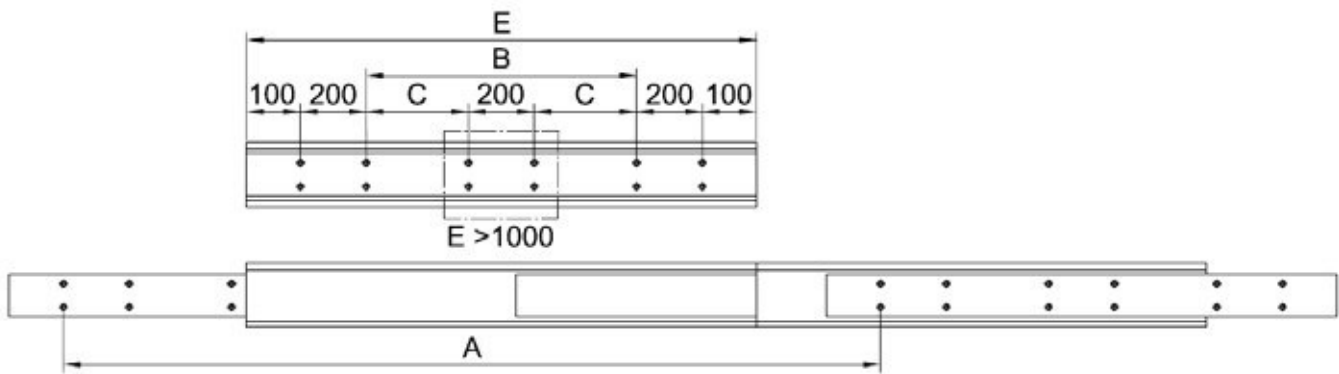
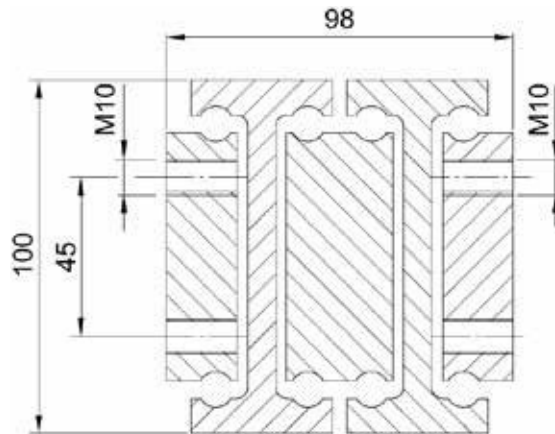


Load Table

Order Number	Hole separation (mm)		Installation length (mm)	Extension length (mm)	Net weight (kg)	Maximum load/pair (N)
	B	C	E	A		
NTSU100-51-700	100		700	1050	20.2	5600
NTSU100-51-750	150		750	1125	21.7	5600
NTSU100-51-800	200		800	1200	23.1	5400
NTSU100-51-850	250		850	1275	24.5	5200
NTSU100-51-900	300		900	1350	26.0	4800
NTSU100-51-950	350		950	1425	27.4	4600
NTSU100-51-1000	400		1000	1500	28.8	4400
NTSU100-51-1100		150	1100	1650	31.7	4100
NTSU100-51-1200		200	1200	1800	34.6	3800
NTSU100-51-1300		250	1300	1950	37.5	3500
NTSU100-51-1400		300	1400	2100	40.3	3200
NTSU100-51-1500		350	1500	2250	43.2	3000
NTSU100-51-1600		400	1600	2400	45.0	2700
NTSU100-51-1700		450	1700	2550	48.9	2400
NTSU100-51-1800		500	1800	2700	51.8	2100
NTSU100-51-1900		550	1900	2850	54.7	1800
NTSU100-51-2000		600	2000	3000	57.5	1500

Ordercode and further options see last page. Your desired length is not listed in the table? No problem! Only the most common lengths are shown here. Please contact our application technology division.

NTSU100-98DS



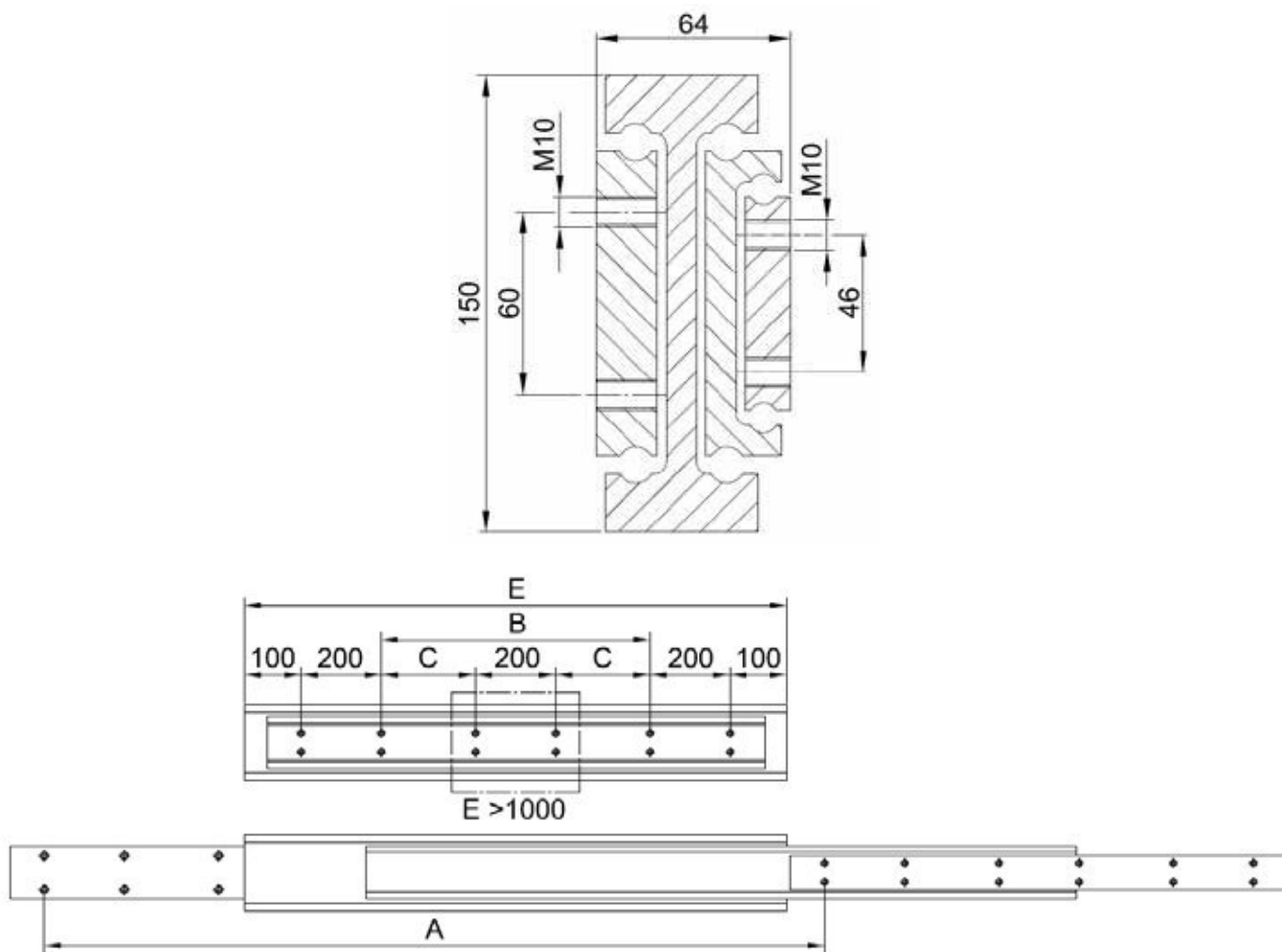
Load Table

Order Number	Hole separation (mm)		Installation length (mm)	Extension length (mm)	Net weight (kg)	Maximum load/pair (N)
	B	C	E	A		
NTSU100-98DS-650	50		650	1300	39.1	13925
NTSU100-98DS-700	100		700	1400	42.1	13700
NTSU100-98DS-750	150		750	1500	45.1	13325
NTSU100-98DS-800	200		800	1600	48.2	13025
NTSU100-98DS-850	250		850	1700	51.2	12650
NTSU100-98DS-900	300		900	1800	54.2	12275
NTSU100-98DS-950	350		950	1900	57.2	11900
NTSU100-98DS-1000	400		1000	2000	60.2	11600
NTSU100-98DS-1100		150	1100	2200	66.2	10850
NTSU100-98DS-1200		200	1200	2400	72.2	10175
NTSU100-98DS-1300		250	1300	2600	78.3	9425
NTSU100-98DS-1400		300	1400	2800	84.3	8675
NTSU100-98DS-1500		350	1500	3000	90.3	7925

Ordercode and further options see last page. Your desired length is not listed in the table? No problem! Only the most common lengths are shown here. Please contact our application technology division.

OVER EXTENSION

NTSU150-64



Load Table

Order Number	Hole separation (mm)		Installation length (mm)	Extension length (mm)	Net weight (kg)	Maximum load/pair (N)
	B	C	E	A		
NTSU150-64-700	100		700	1050	38.1	7100
NTSU150-64-750	150		750	1125	40.8	7200
NTSU150-64-800	200		800	1200	43.5	7600
NTSU150-64-850	250		850	1275	46.2	7500
NTSU150-64-900	300		900	1350	48.9	7350
NTSU150-64-950	350		950	1425	51.6	7200
NTSU150-64-1000	400		1000	1500	54.3	7000
NTSU150-64-1100		150	1100	1650	59.7	6600
NTSU150-64-1200		200	1200	1800	65.2	6200
NTSU150-64-1300		250	1300	1950	70.5	5800
NTSU150-64-1400		300	1400	2100	75.9	5300
NTSU150-64-1500		350	1500	2250	81.3	4800
NTSU150-64-1600		400	1600	2400	86.8	4300
NTSU150-64-1700		450	1700	2550	92.2	3800
NTSU150-64-1800		500	1800	2700	97.6	3300
NTSU150-64-1900		550	1900	2850	103.0	2800
NTSU150-64-2000		600	2000	3000	108.5	2400

Ordercode and further options see last page. Your desired length is not listed in the table? No problem! Only the most common lengths are shown here. Please contact our application technology division.